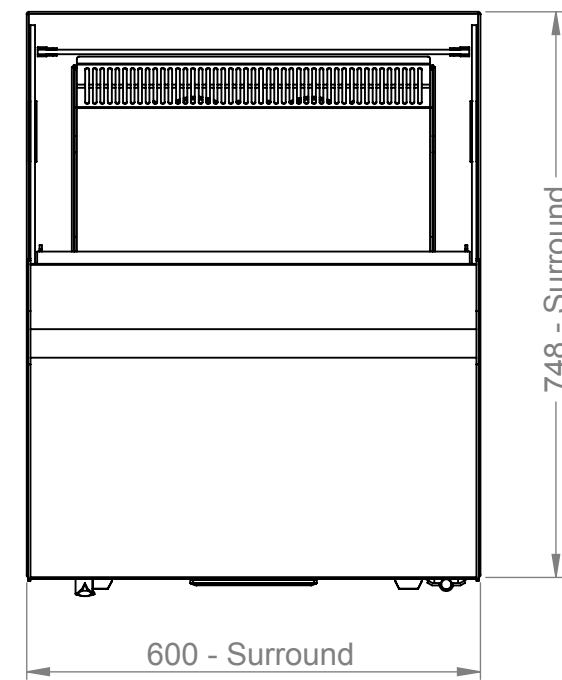
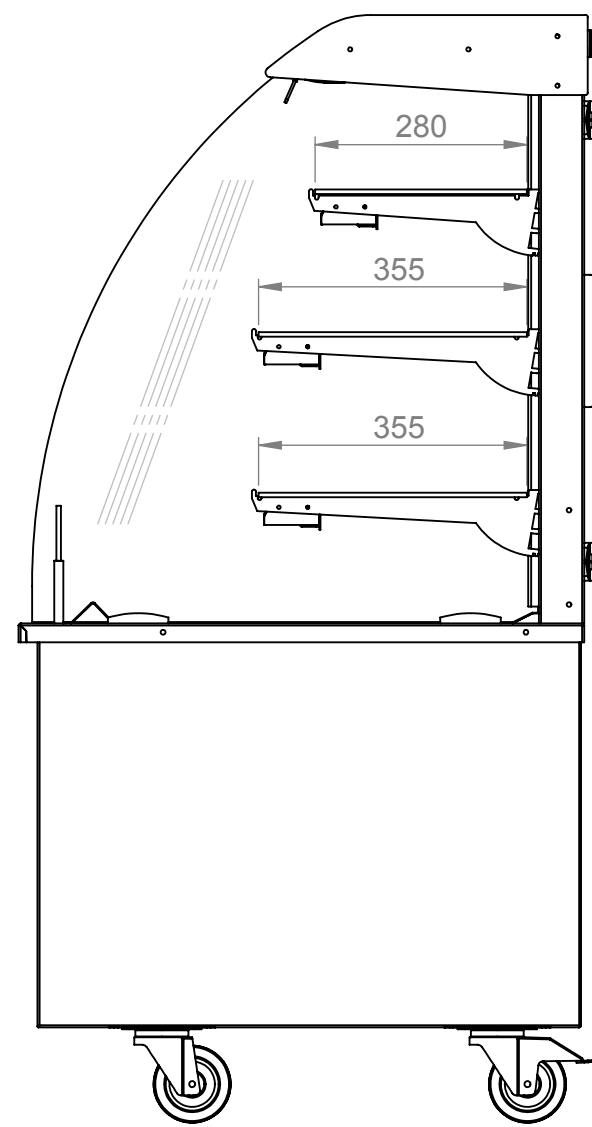




This drawing and the information properties contained there on is the property of Counterline Ltd and must not be copied or issued to a third party without the prior consent of Counterline Ltd.

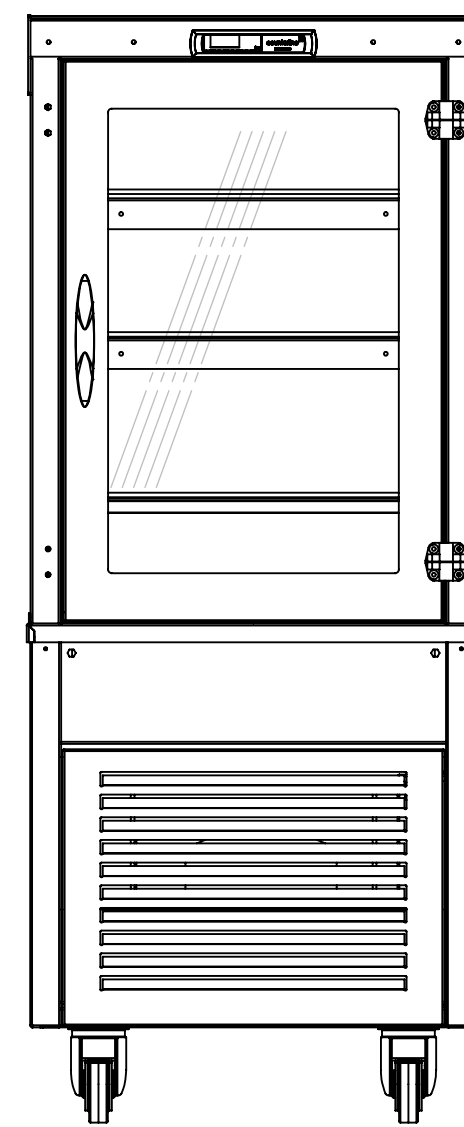


Plan



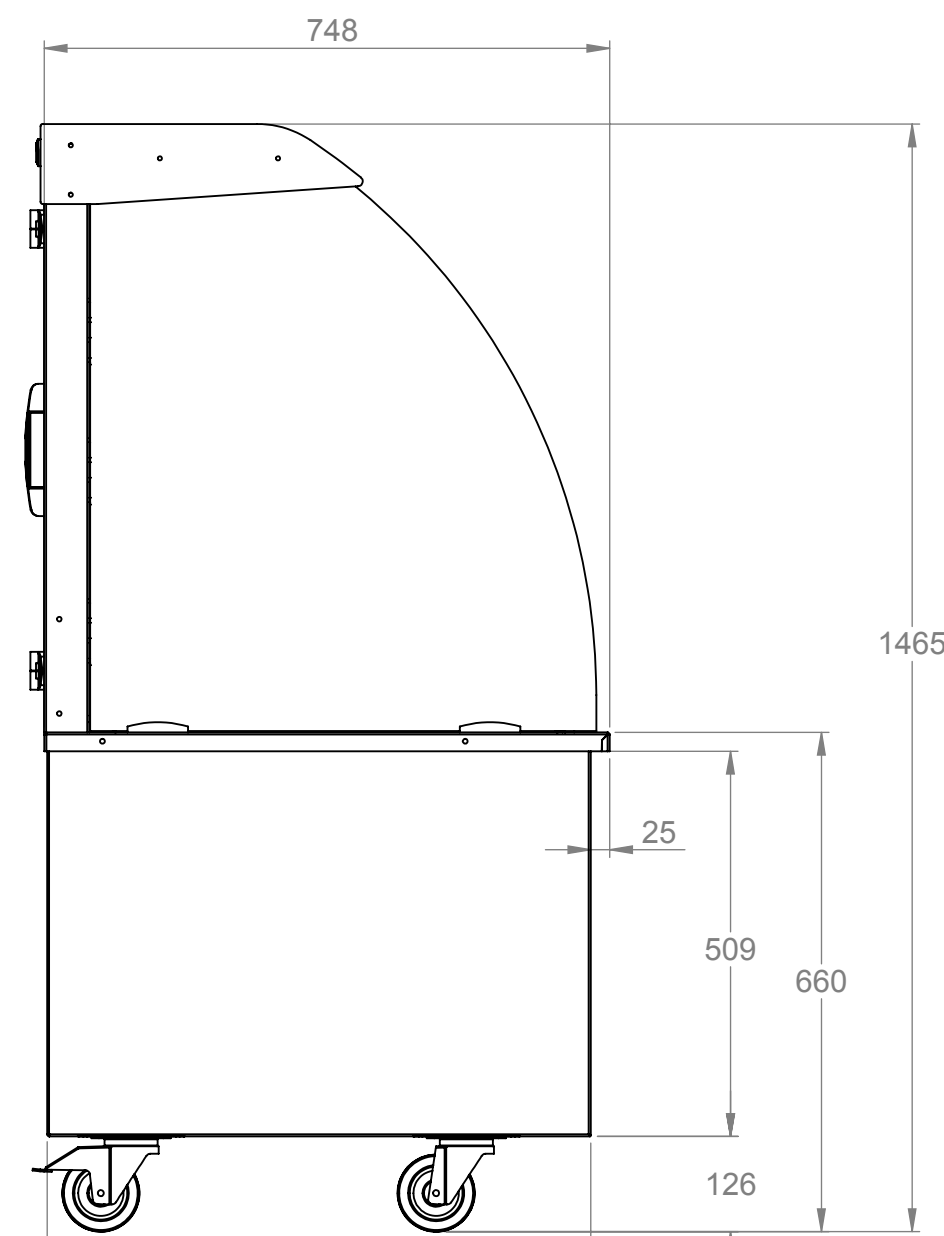
End elevation

Rear side hinged door



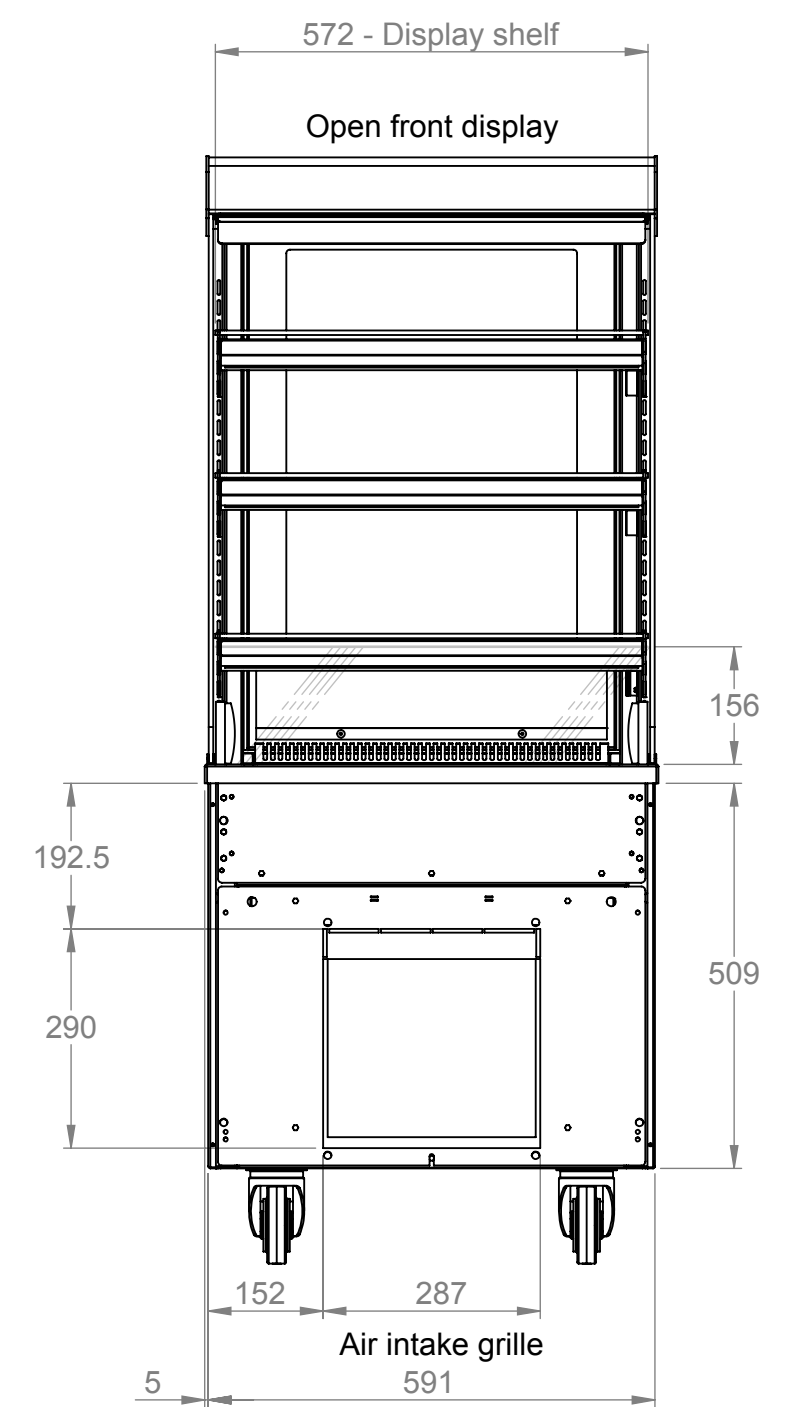
Service void

Rear elevation



Satin polished stainless steel end panels

End elevation



Front elevation

Electrical Spec - 13A 230V, 1.8Kw
via 13 Amp plugtop on 2.5 Metre lead
Weight - 135Kg Approx

Assembly No - VOC600-GO

Issue	Date	Description
Randles Rd, Knowsley Business Park, Merseyside L34 9HZ. Tel: 0151 548 2211 Fax: 0151 549 2179		
Title: Vision Open Chilled Display 600		
Drg No :	Issue:	Date: 06/01/2015
14-234--A		Scale: 1:10 @ A2
		Chk'd:
Drn by: G Burgess	All dims in MM	Date: