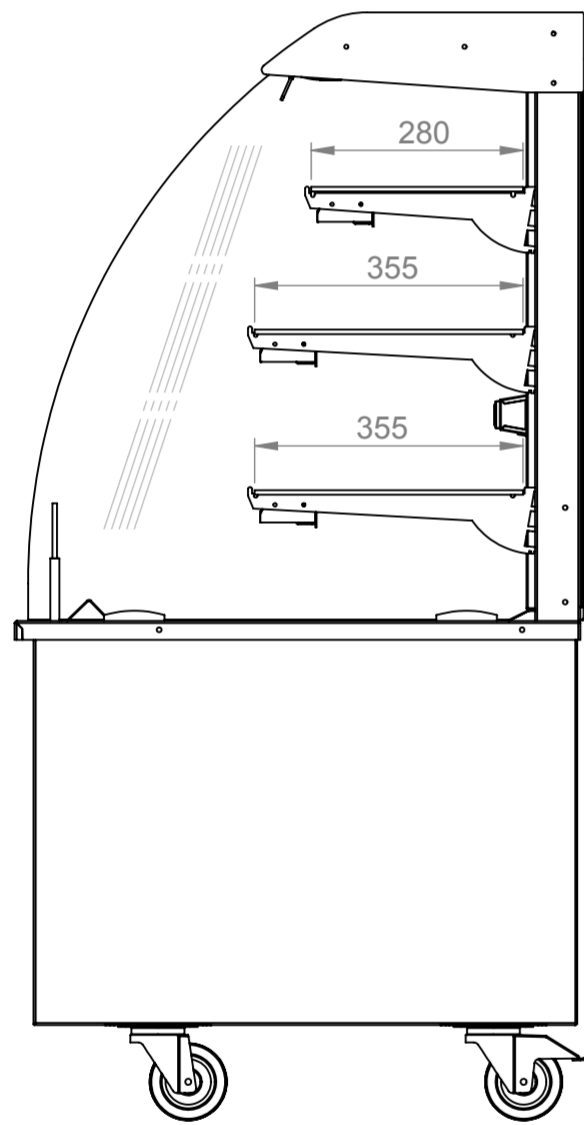
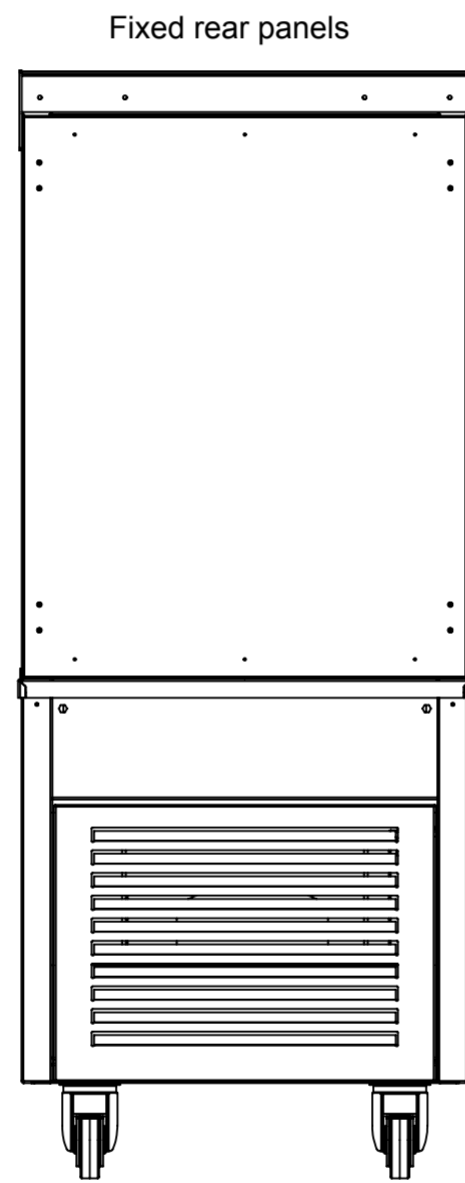


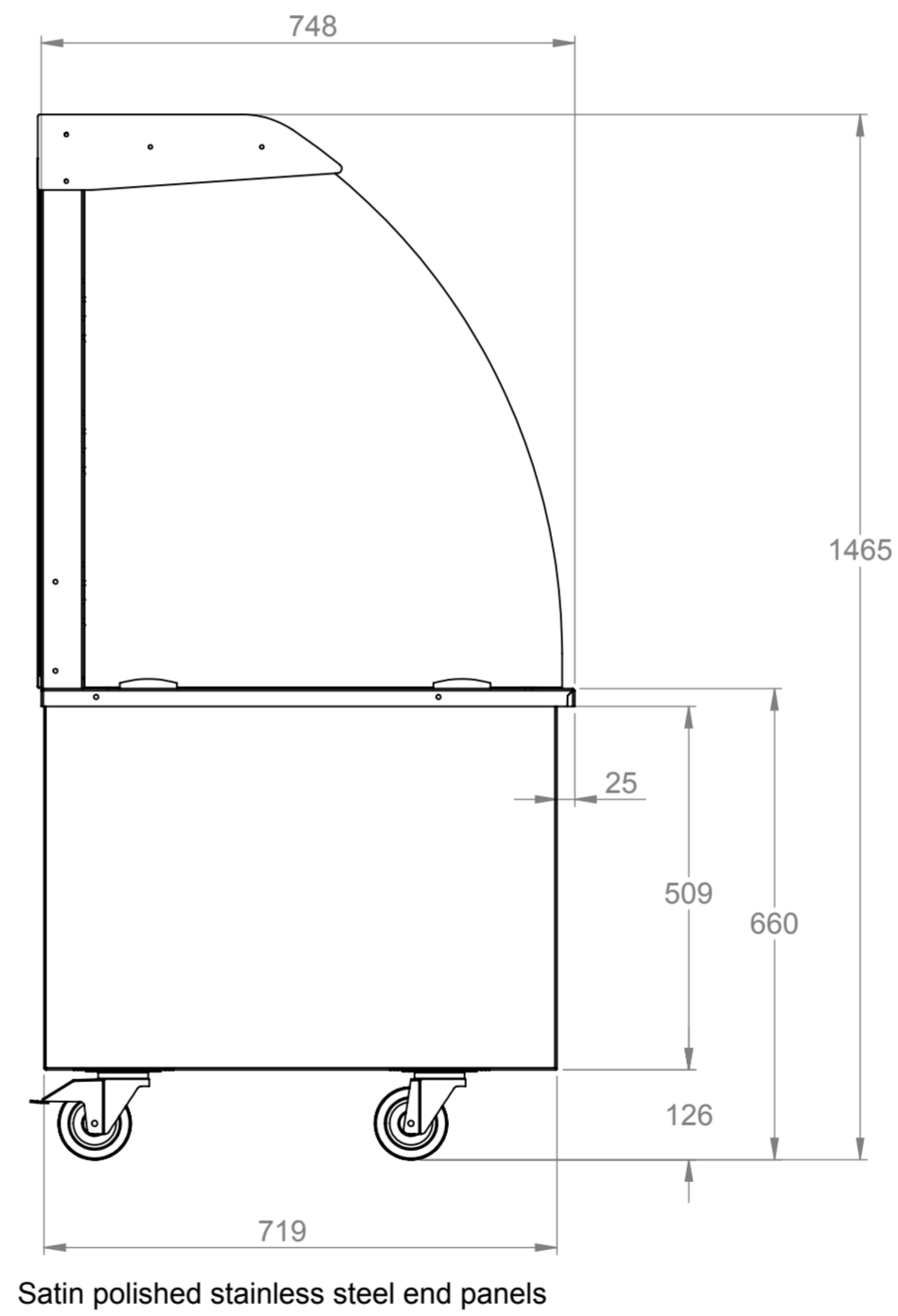
Plan



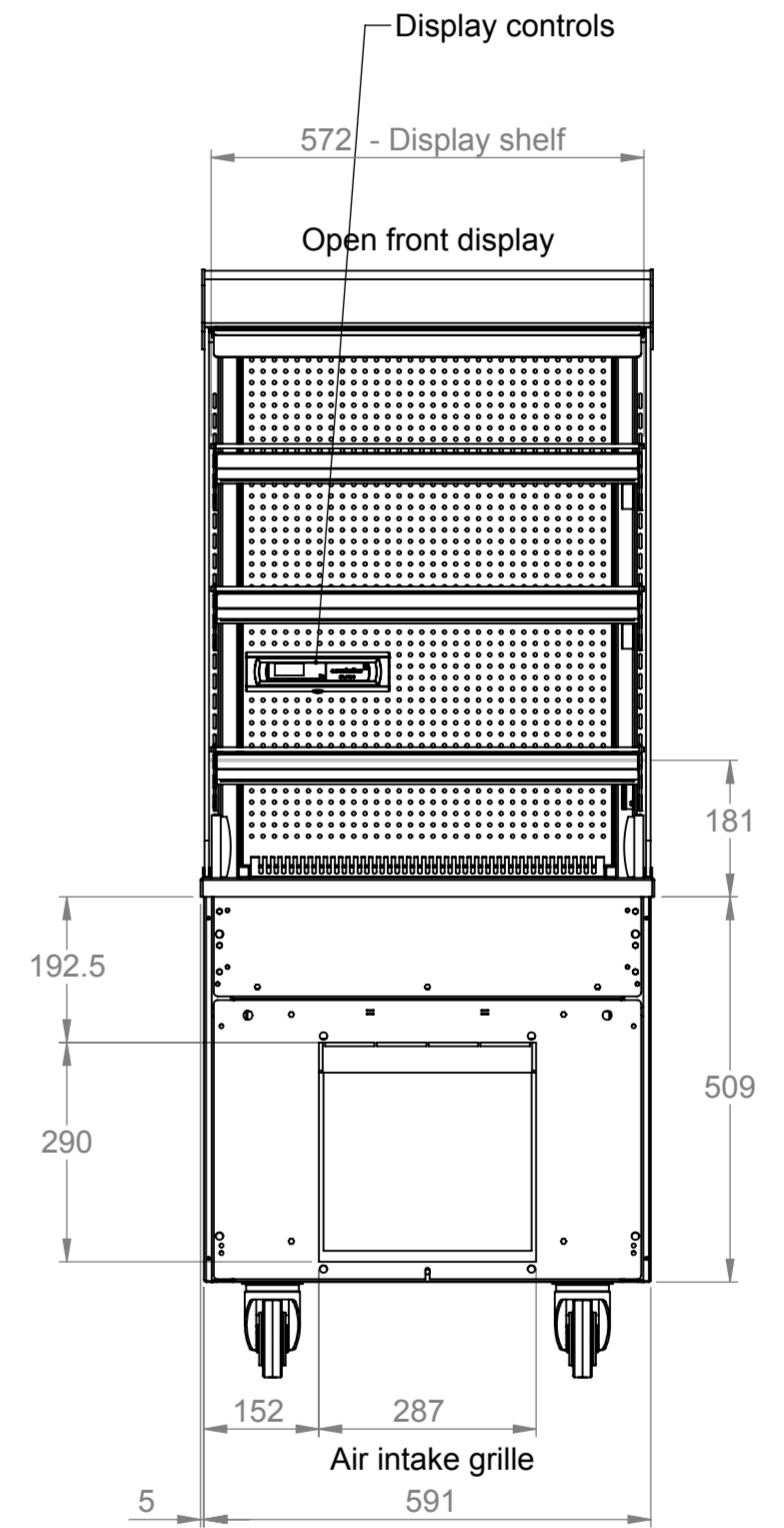
End elevation



Rear elevation




End elevation



Front elevation

Electrical Spec - 13A 230V, 1.8Kw  
 via 13 Amp plugtop on 2.5 Metre lead  
 Weight - 135Kg Approx

Assembly No - VOC600-GC

Issue	Date	Description
 Randles Rd, Knowsley Business Park, Merseyside L34 9HZ. Tel: 0151 548 2211 Fax: 0151 549 2179		
Title: Vision Open Chilled Display 600 Fixed Back		
Drg No :	Issue:	Date: 06/01/2015
14-237--A		Scale: 1:10 @ A2
Drn by: G Burgess	All dims in MM	Chk'd: Date: