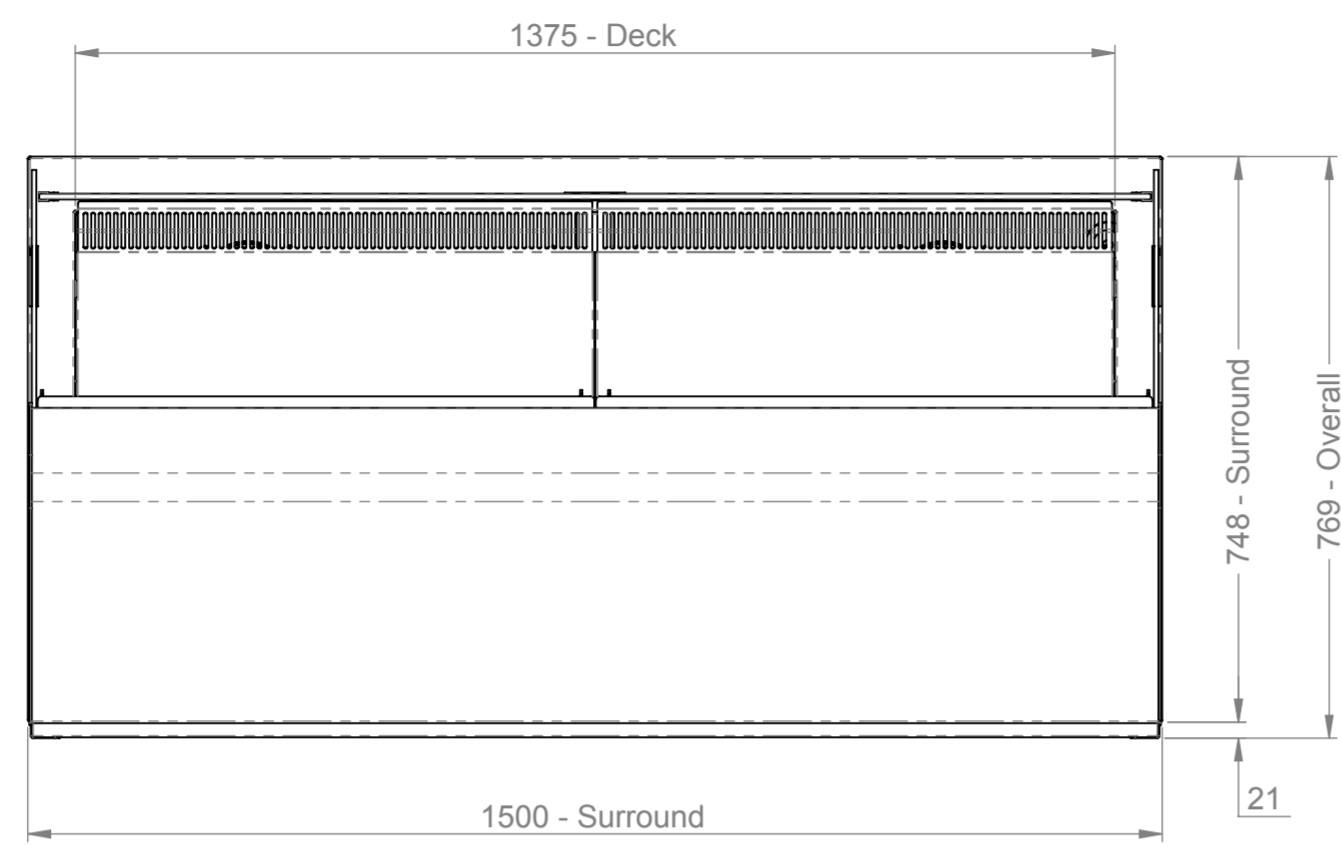
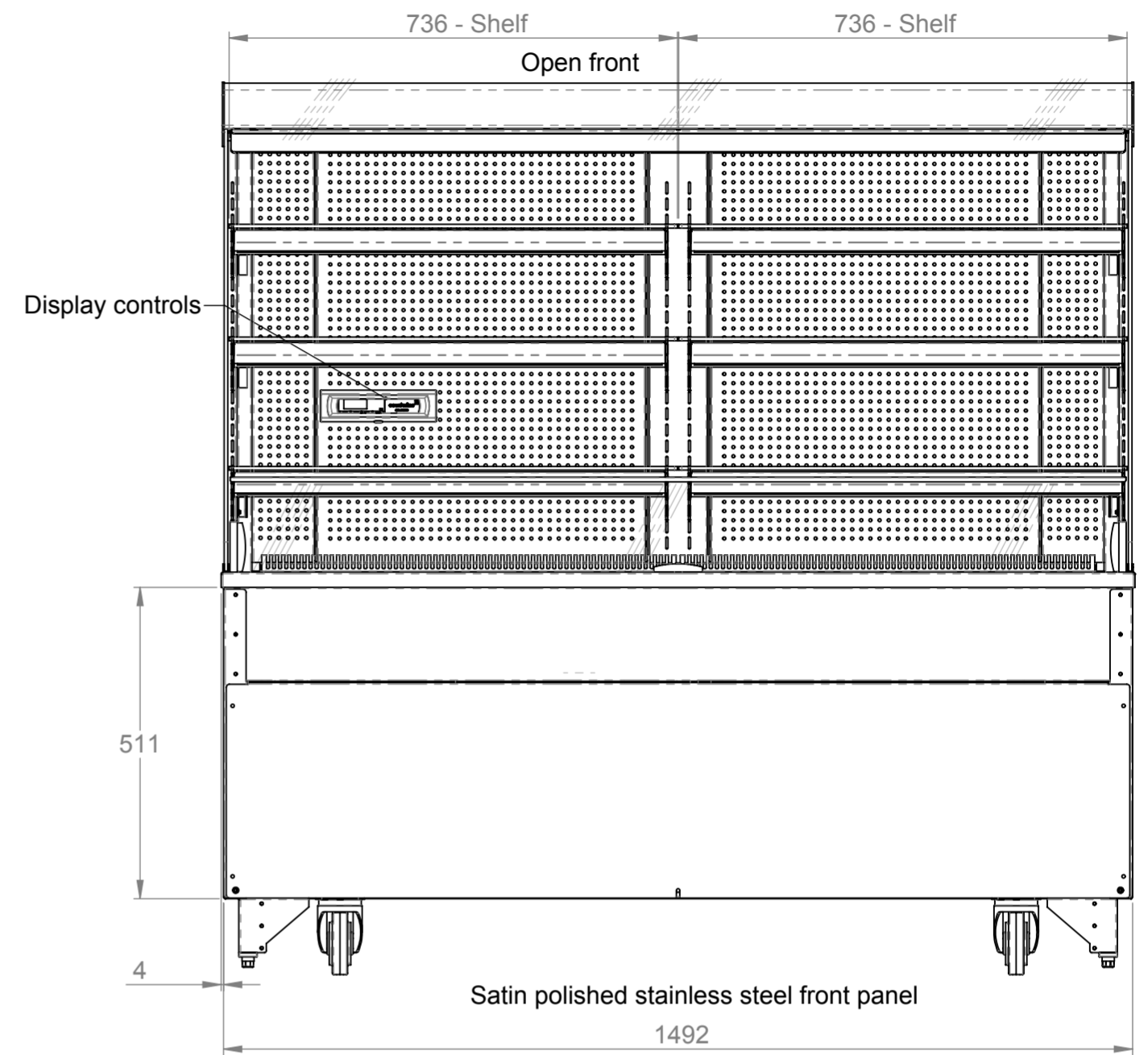


3rd Angle Projection. 

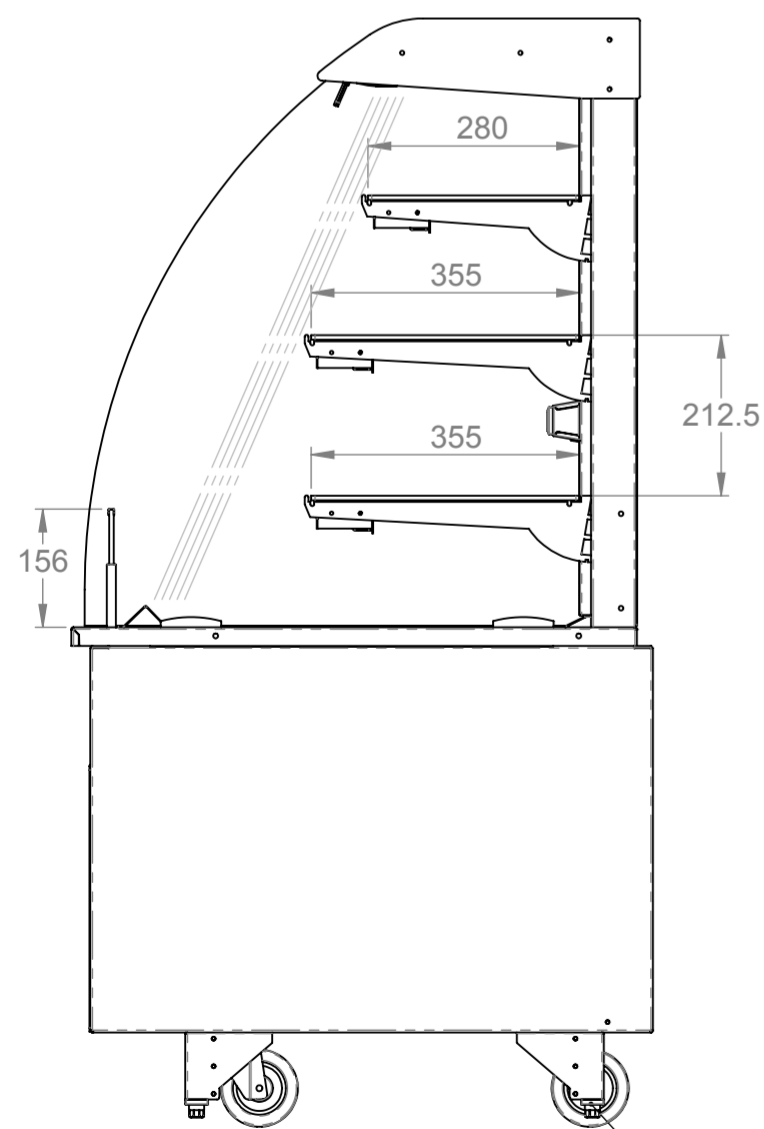
This drawing and the information properties contained there on is the property of Counterline Ltd and must not be copied or issued to a third party without the prior consent of Counterline Ltd.



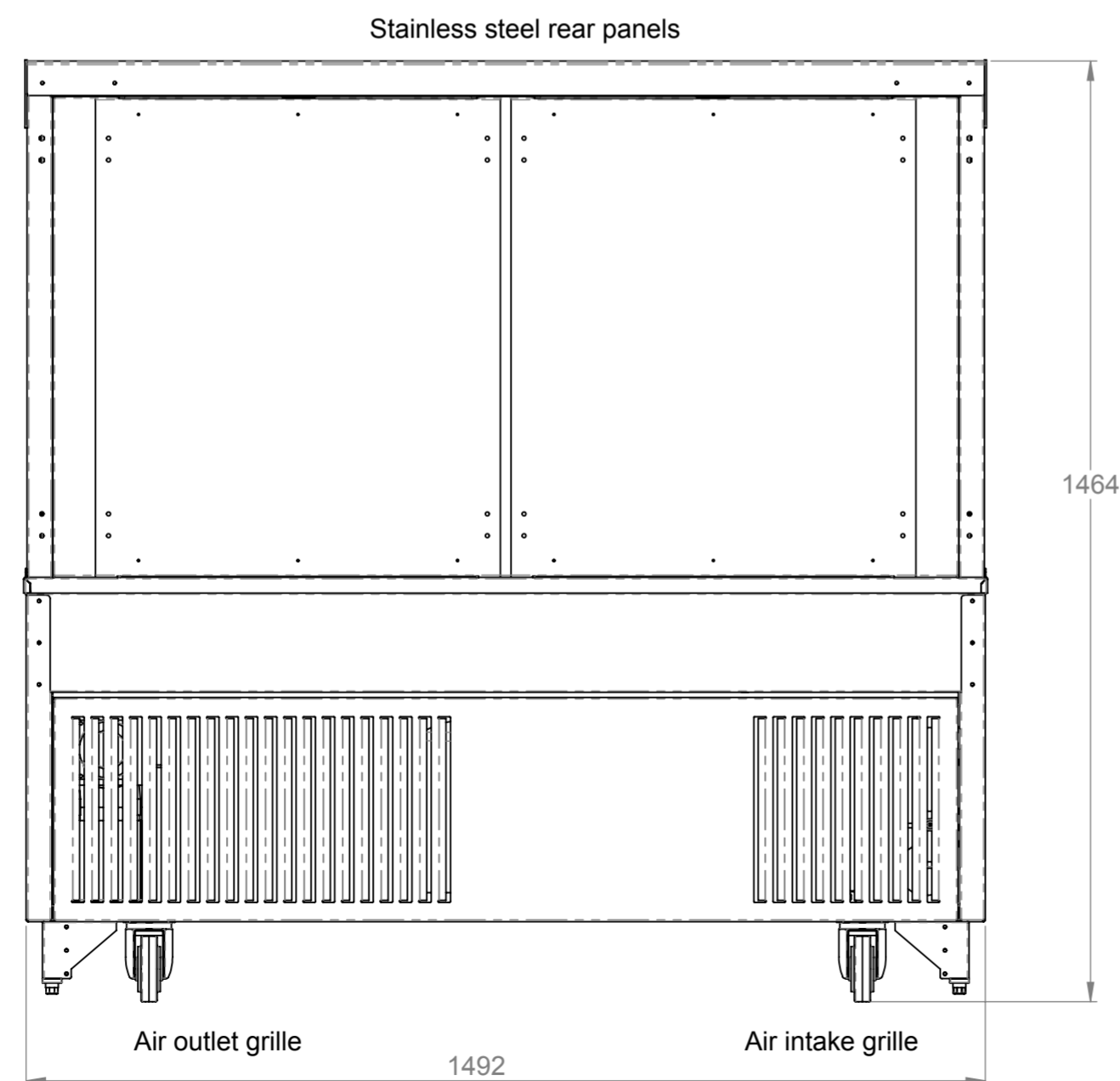
Plan



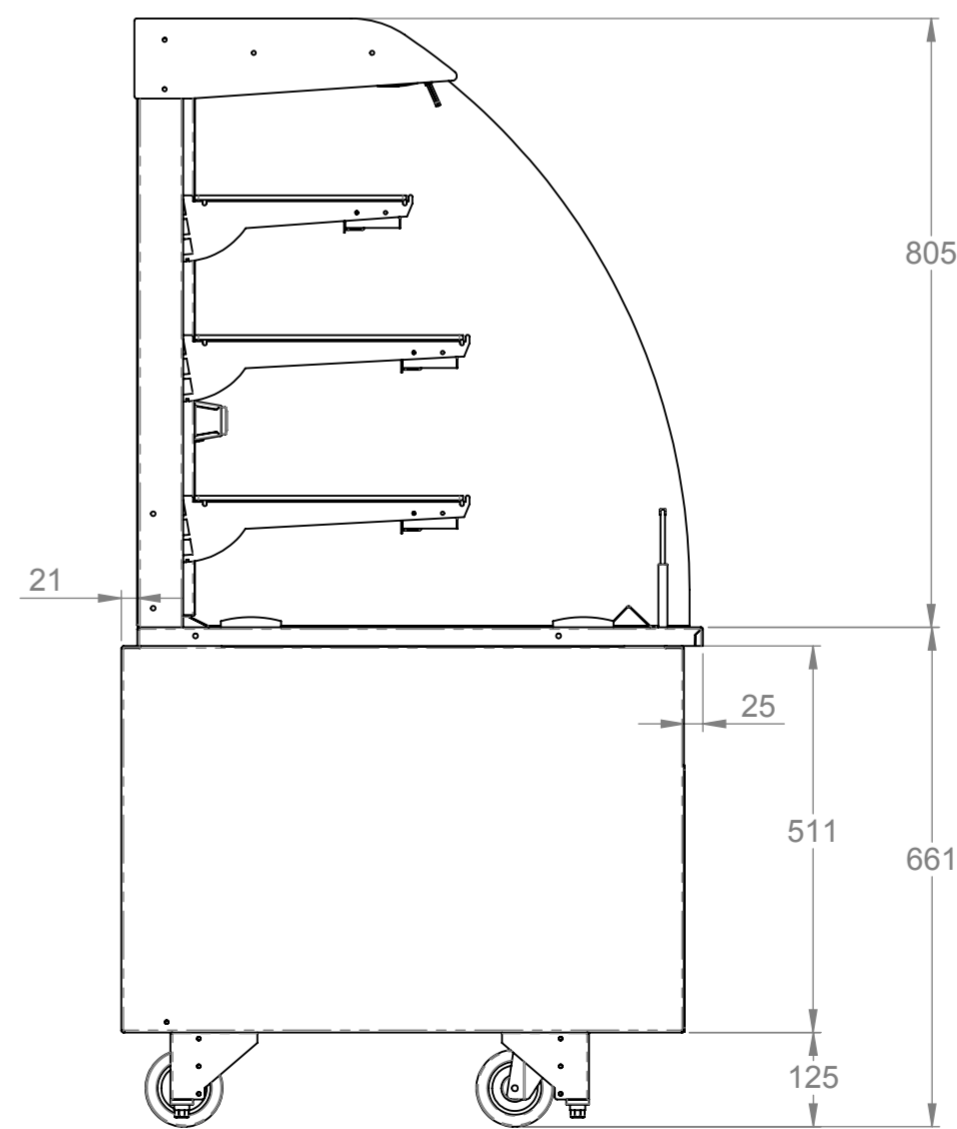
Front elevation



End elevation




Rear elevation



End elevation

Assembly No - VOC1500-GC

Electrical Spec - 13A, 230V, 2.8Kw,
via 13 Amp plugtop on 2.5 Metre lead
Weight - 290Kg Approx

Issue	Date	Description
 Randles Rd, Knowsley Business Park, Merseyside L34 9HZ. Tel: 0151 548 2211 Fax: 0151 549 2179		
Title: Vision Open Chilled 1500 Lg Display FB		
Drng No :	Issue:	Date: 12/11/2015
15-782--A		Scale: 1:10 @ A2
		Chk'd:
Drn by: G Burgess	All dims in MM	Date: