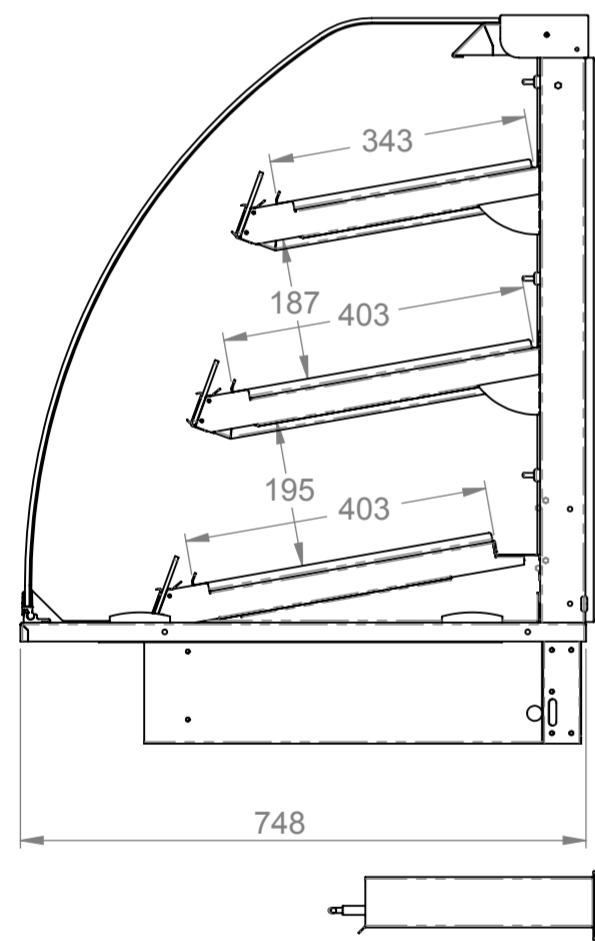
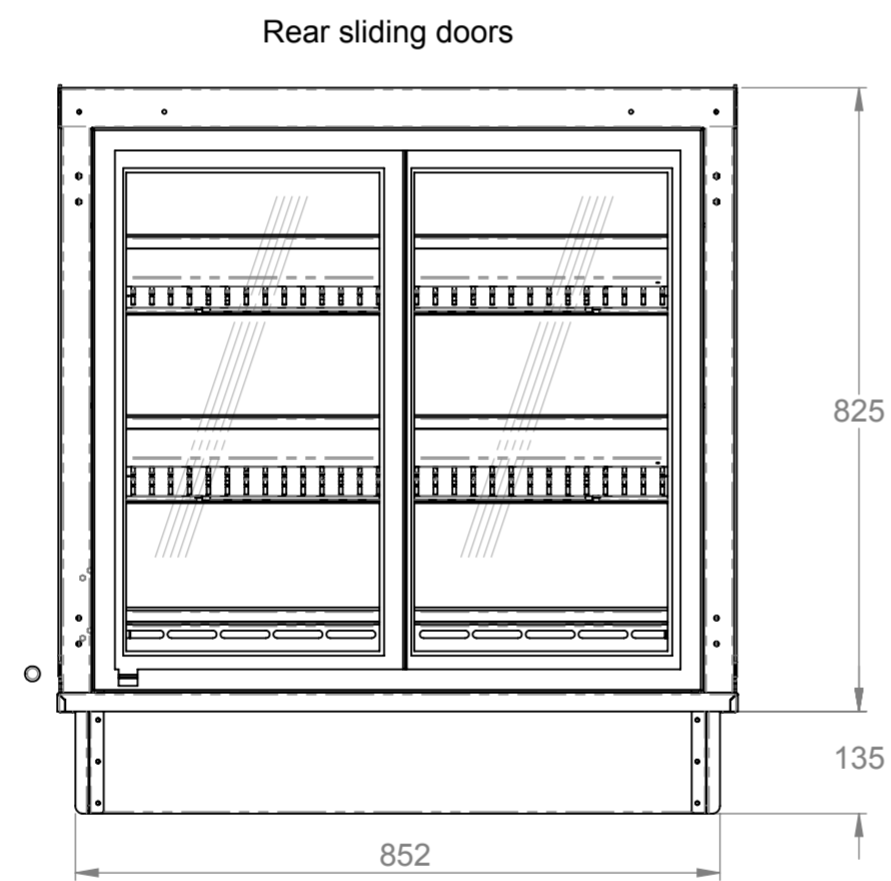


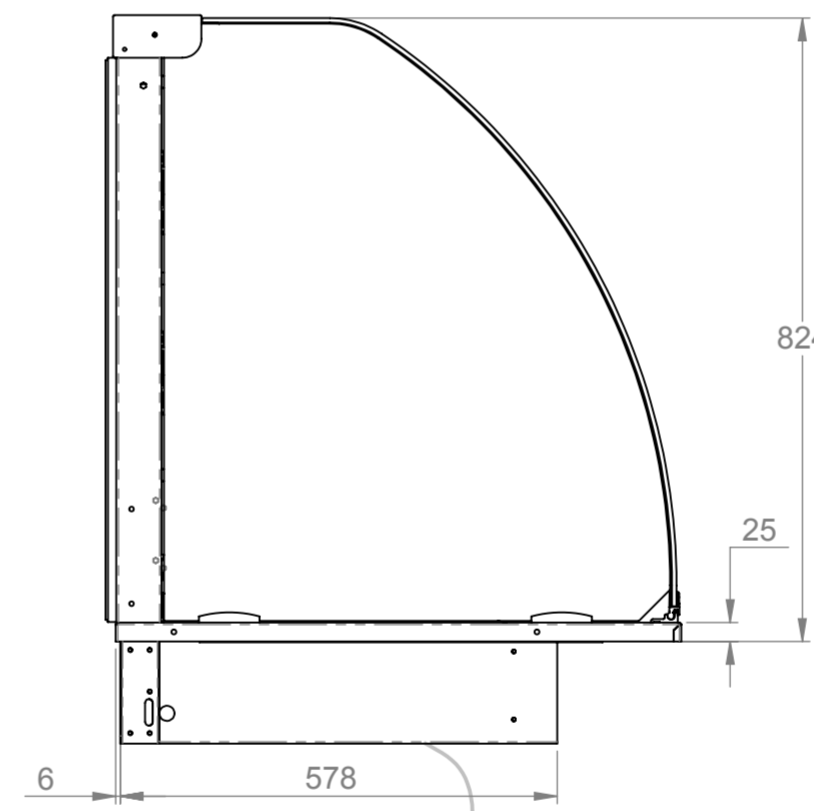
Plan



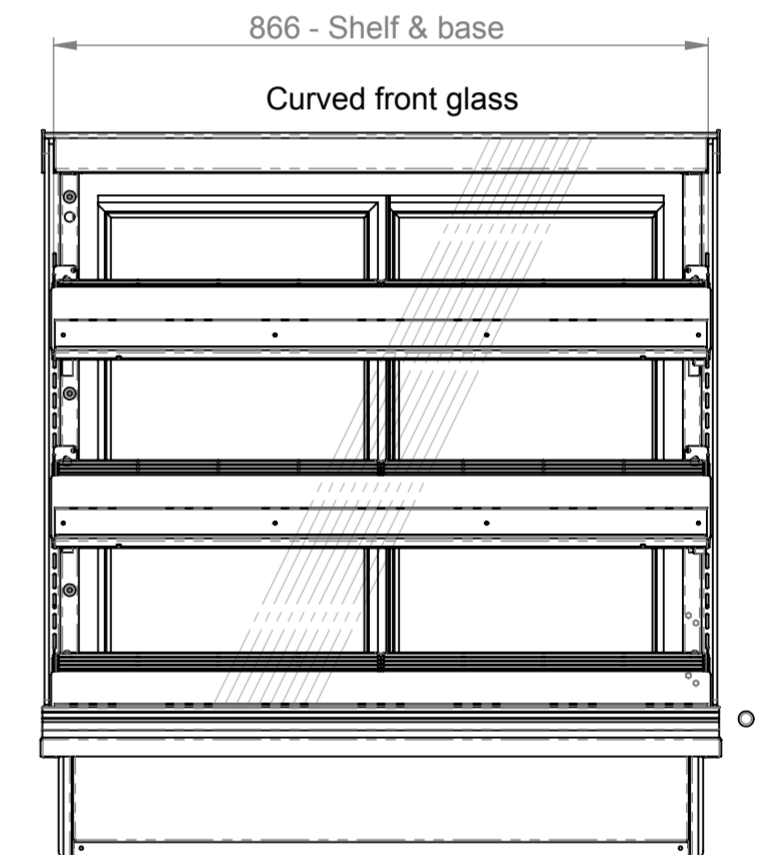
End elevation



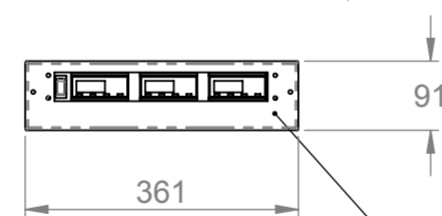
Rear elevation



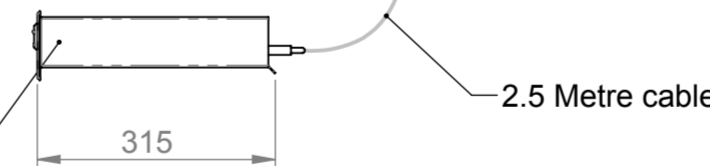
End elevation



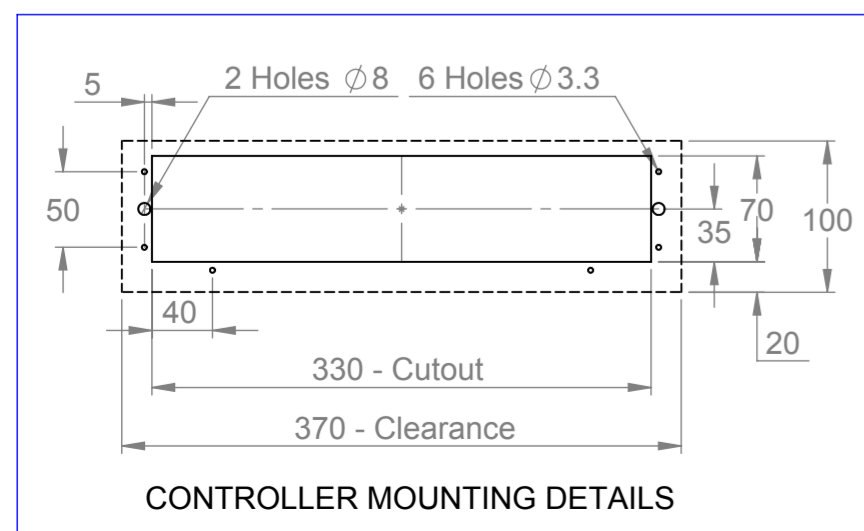
Front elevation



Display controls



2.5 Metre cable



CONTROLLER MOUNTING DETAILS

Display controller to be located in an accessible position & the void temperature should not exceed 50°C

Electrical Spec - 13A, 230V,
(min 1.5Kw - max 3.0Kw)
via 13 Amp plugtop on 2.5 Metre lead
Weight - 87Kg Approx

Assembly No - VHFDI900-GO

Issue	Date	Description
Randles Rd, Knowsley Business Park, Merseyside L34 9HZ. Tel: 0151 548 2211 Fax: 0151 549 2179		
Title: Vision Enclosed Heated Display 900 Long		
Drg No :	Issue:	Date: 24/06/2014
13-185--A		Scale: 1:10 @ A2
		Chk'd:
Drn by: G Burgess	All dims in MM	Date: