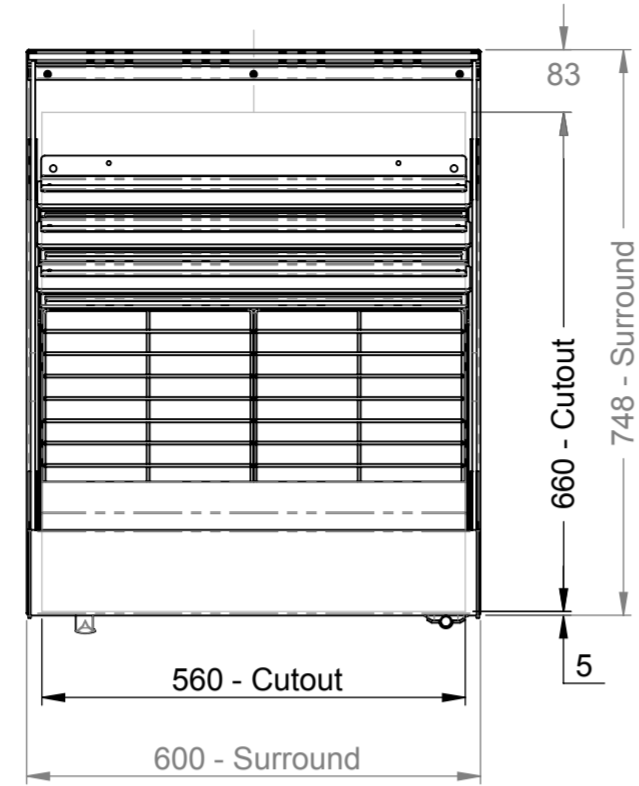
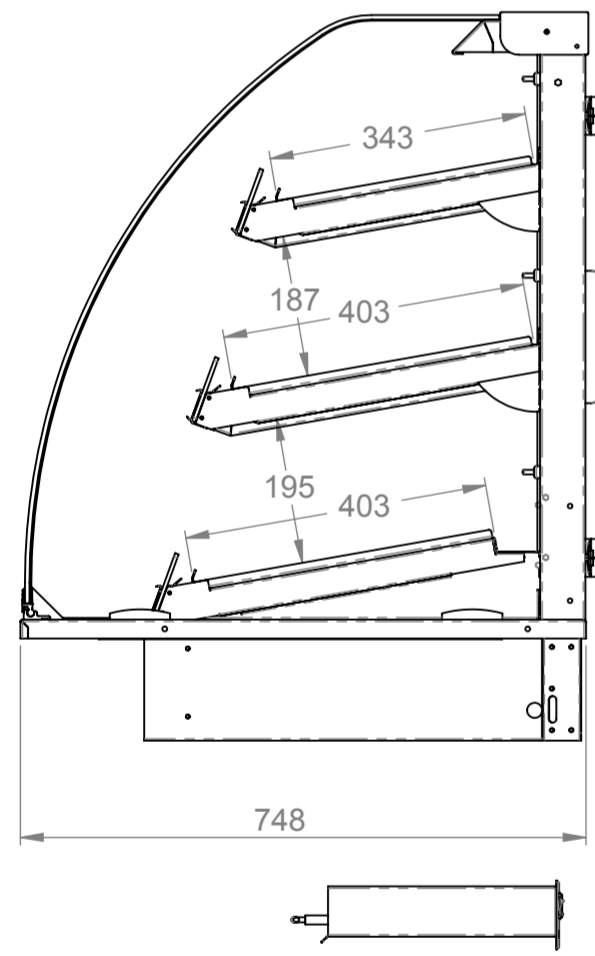




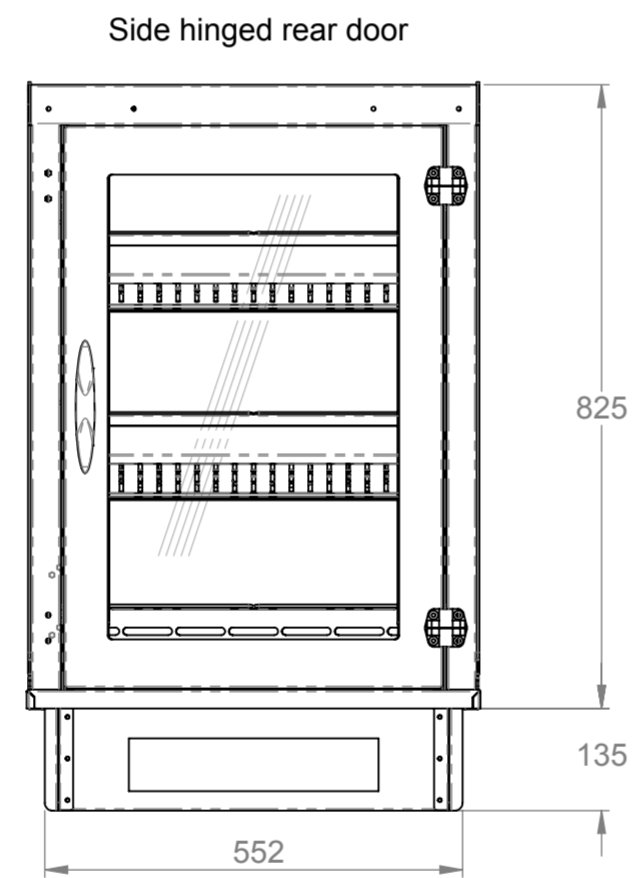
This drawing and the information properties contained there on is the property of Counterline Ltd and must not be copied or issued to a third party without the prior consent of Counterline Ltd.



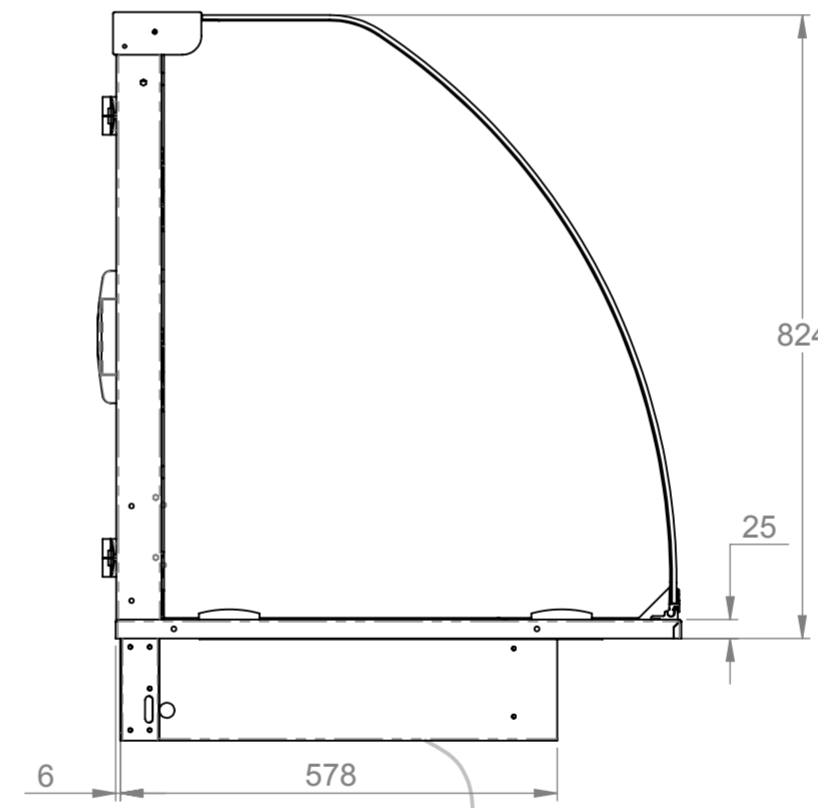
Plan



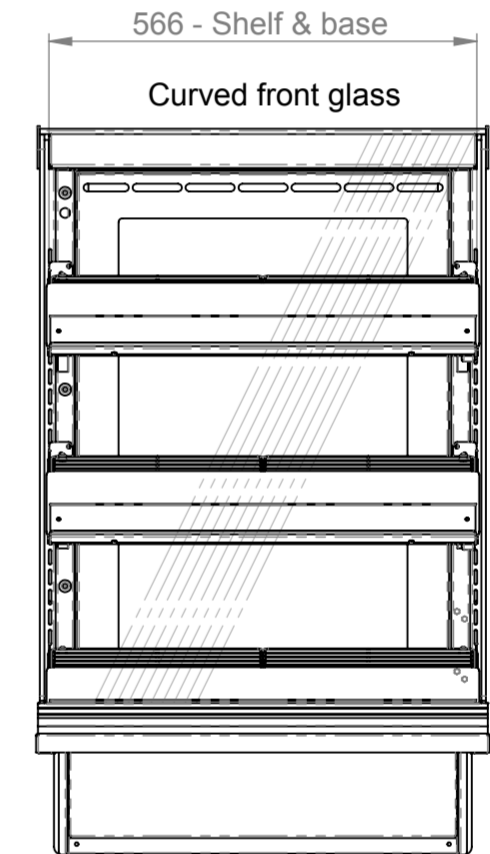
End elevation



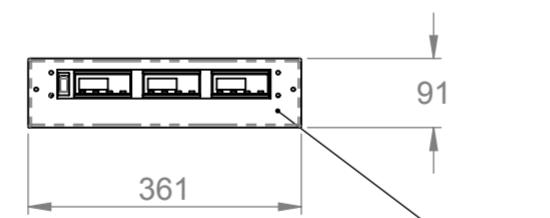
Rear elevation



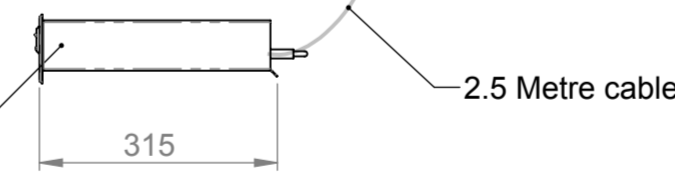
End elevation



Front elevation



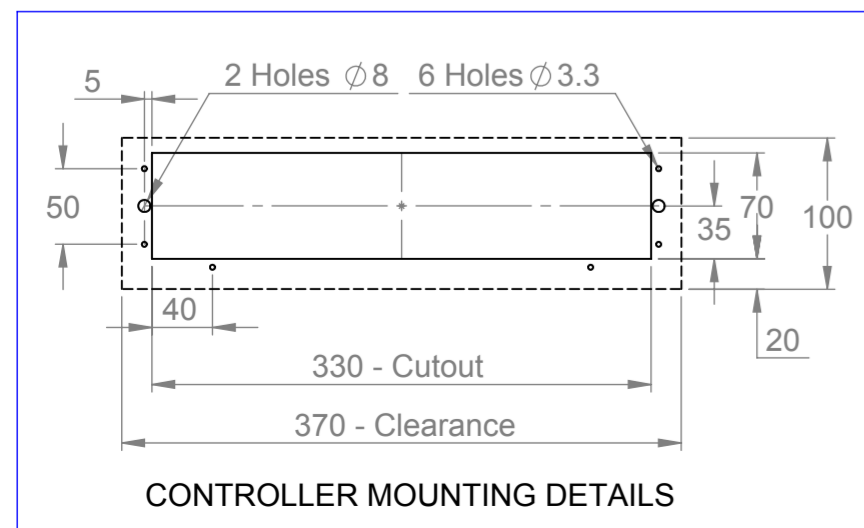
Display controls



Display controller to be located in an accessible position & the void temperature should not exceed 50°C

Electrical Spec - 13A, 230V,
(min 1.5Kw - max 3.0Kw)
via 13 Amp plugtop on 2.5 Metre lead
Weight - 73Kg Approx

Assembly No - VHFDI600-GO



CONTROLLER MOUNTING DETAILS

Issue	Date	Description
<p>Randles Rd, Knowsley Business Park, Merseyside L34 9HZ. Tel: 0151 548 2211 Fax: 0151 549 2179</p>		
Title: Enclosed Front Heated Display 600 Long		
Drg No :	Issue:	Date: 20/06/2014
13-184--A		Scale: 1:10 @ A2
Drn by: G Burgess	All dims in MM	Date: