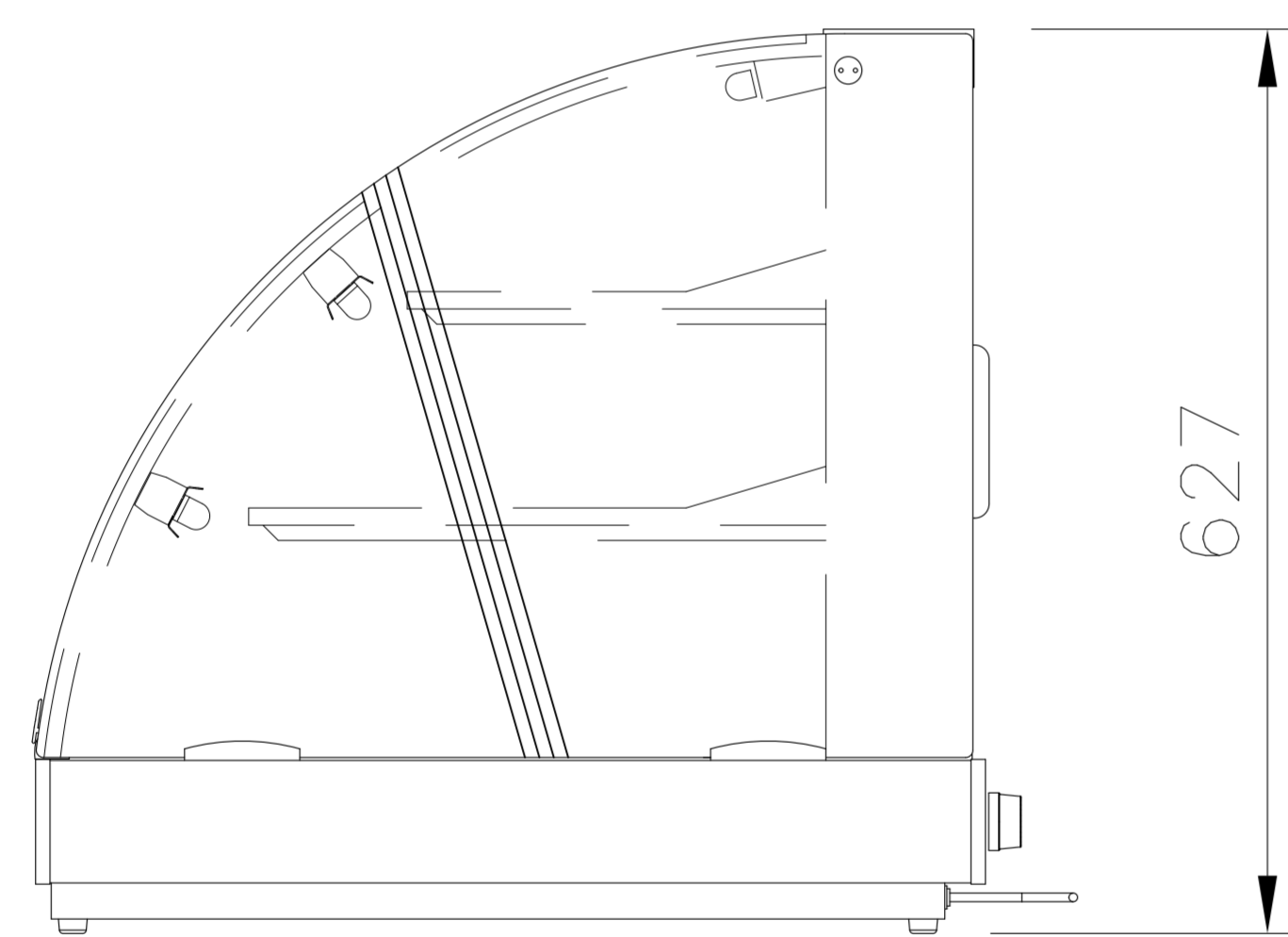
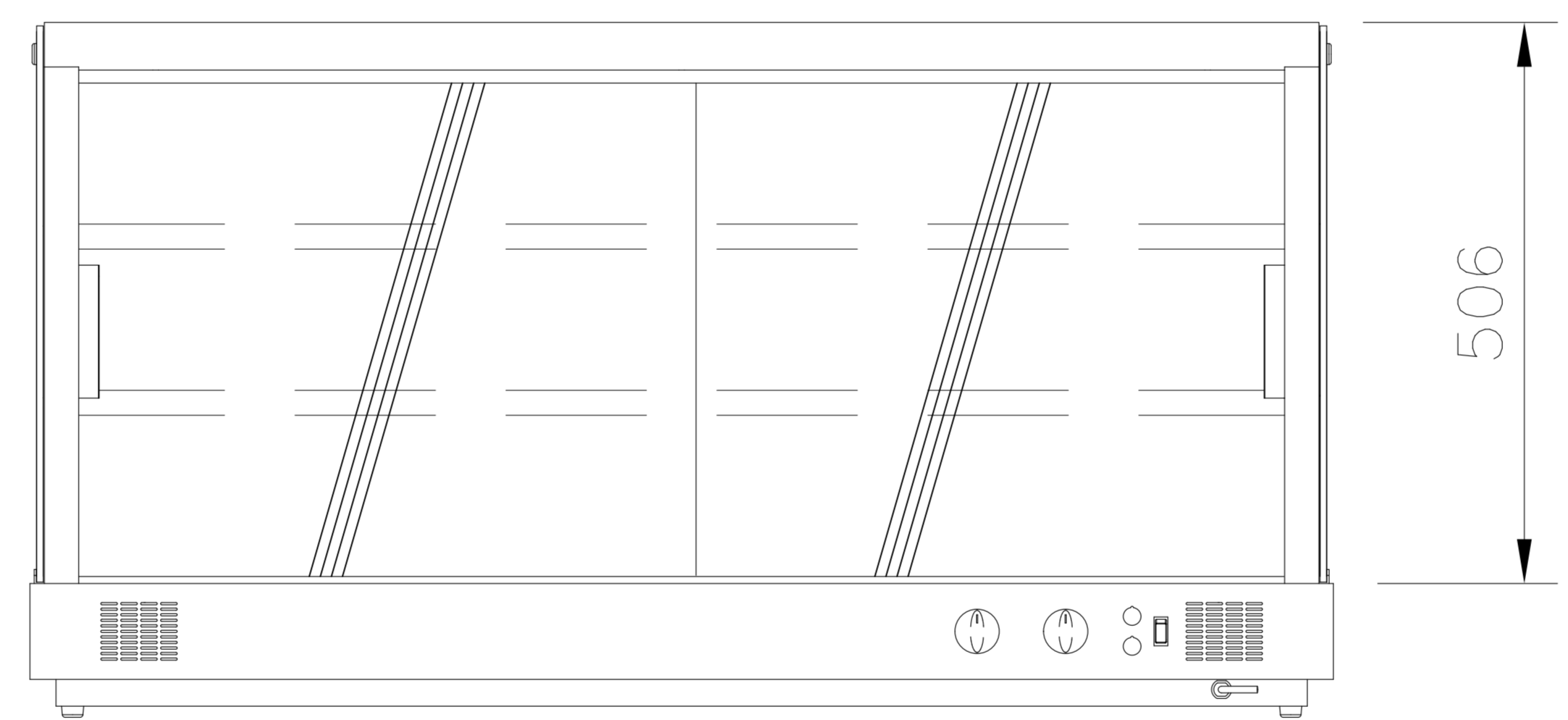


PLAN VIEW

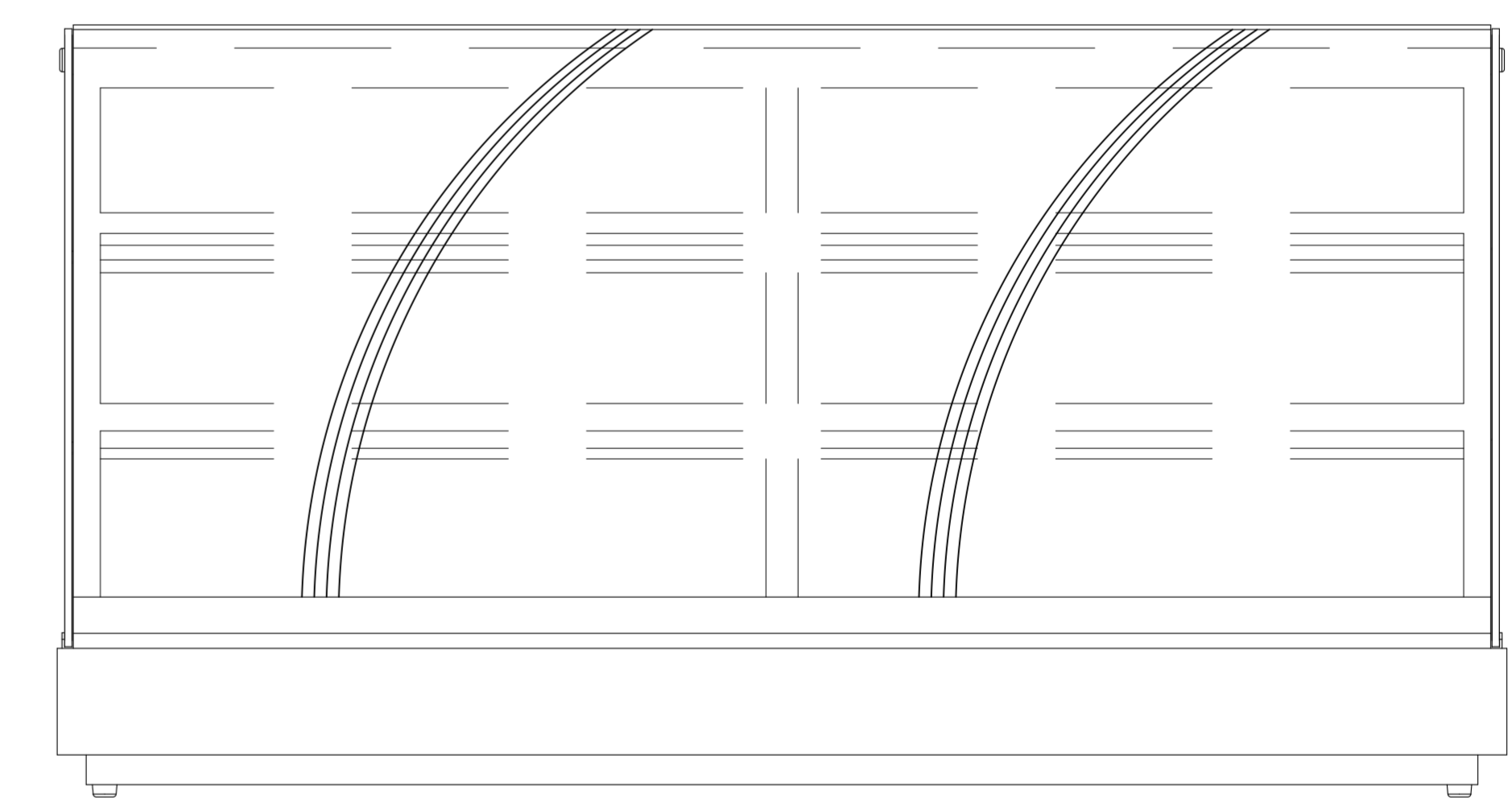


END ELEVATION



REAR SLIDING DOORS

REAR ELEVATION



FRONT ELEVATION

DISPLAY SUPPLIED WITH 1500mm LEAD & PLUGTOP

PRODUCT RANGE: COUNTERTOP VISION  
 DESC.: HEATED ENCLOSED ASSISTED SERVICE  
 COUNTERTOP DISPLAY

**counterline** 

RANDES RD, KNOWSLEY BUSINESS PARK, MERSEYSIDE L34 9HZ.

Tel: 0151 548 2211

Fax: 0151 549 2179

ELECTRICAL INFO: 13A, 230V, 1.1kW

OPTION:

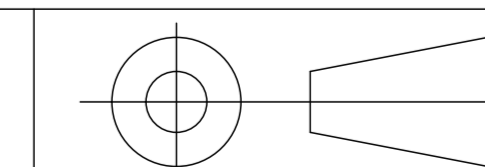
WEIGHT: 73Kg

ID CODE:

VHCT3

ISSUE:

1



SCALE: 1:20 @ A4