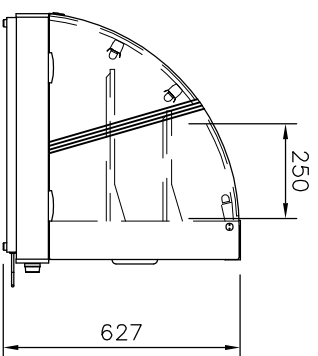
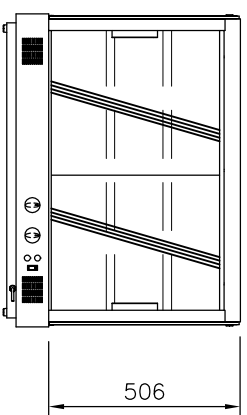


PLAN VIEW

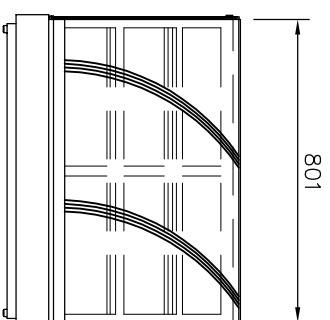


END ELEVATION



REAR SLIDING DOORS

REAR ELEVATION



FRONT ELEVATION

DISPLAY SUPPLIED WITH 1500mm LEAD & PLUGTOP

ELECTRICAL INFO: 13A, 230V

WEIGHT: 63Kg

PRODUCT RANGE: COUNTERTOP VISION
 DESC.: HEATED ENCLOSED ASSISTED SERVICE
 COUNTERTOP DISPLAY

OPTION:

ID CODE:

VHCT2

counterline

RANDES RD, KNOWSLEY BUSINESS PARK, MERSEYSIDE L34 9HZ.
 Tel: 0151 548 2211 Fax: 0151 549 2179

ISSUE:

1



SCALE: 1:20 @ A4