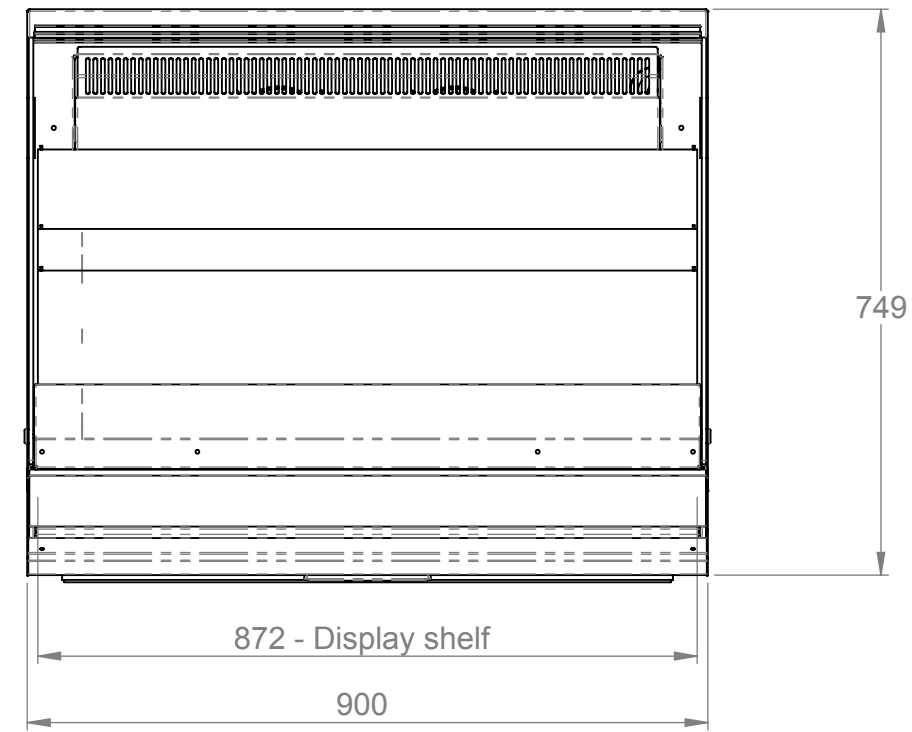
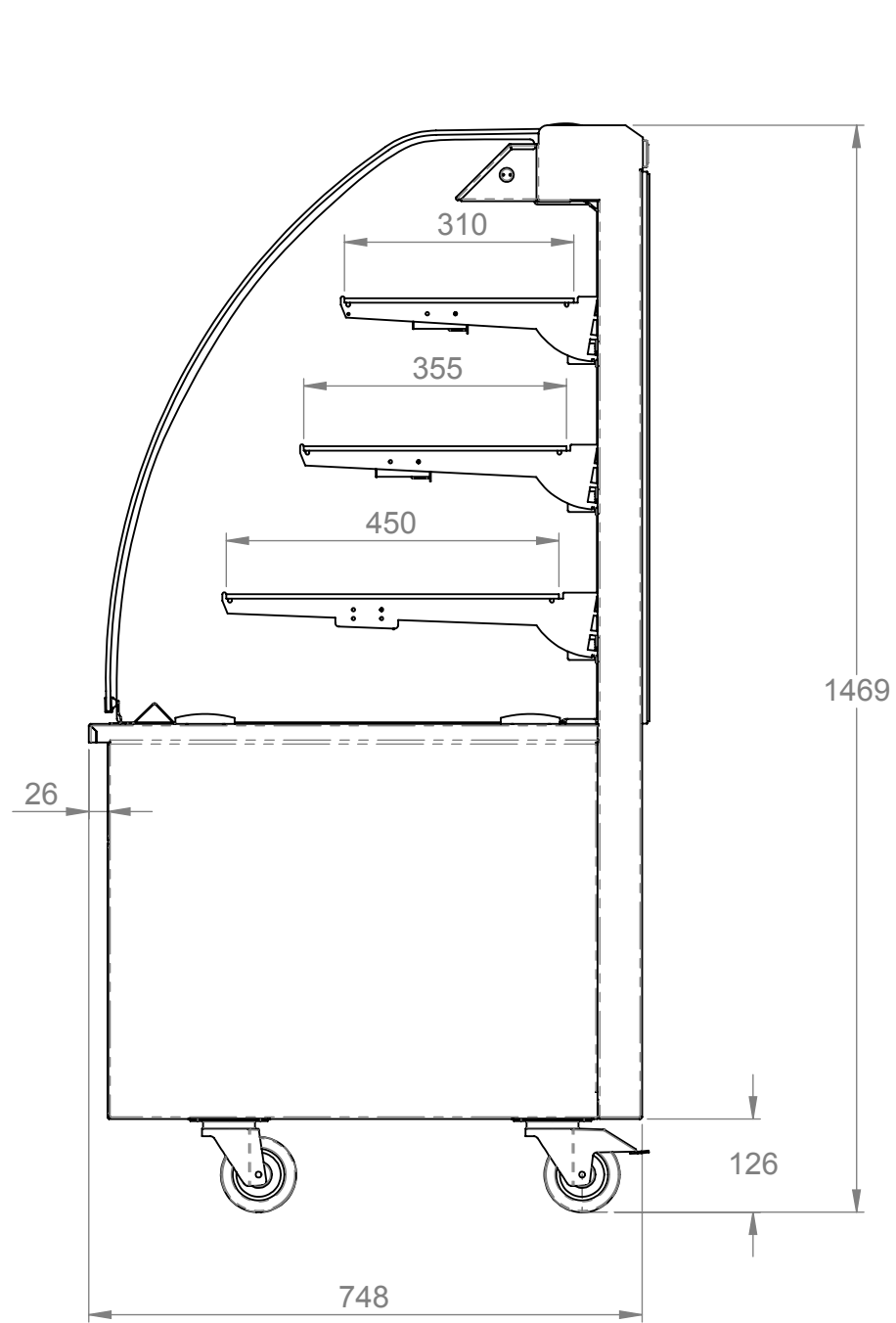




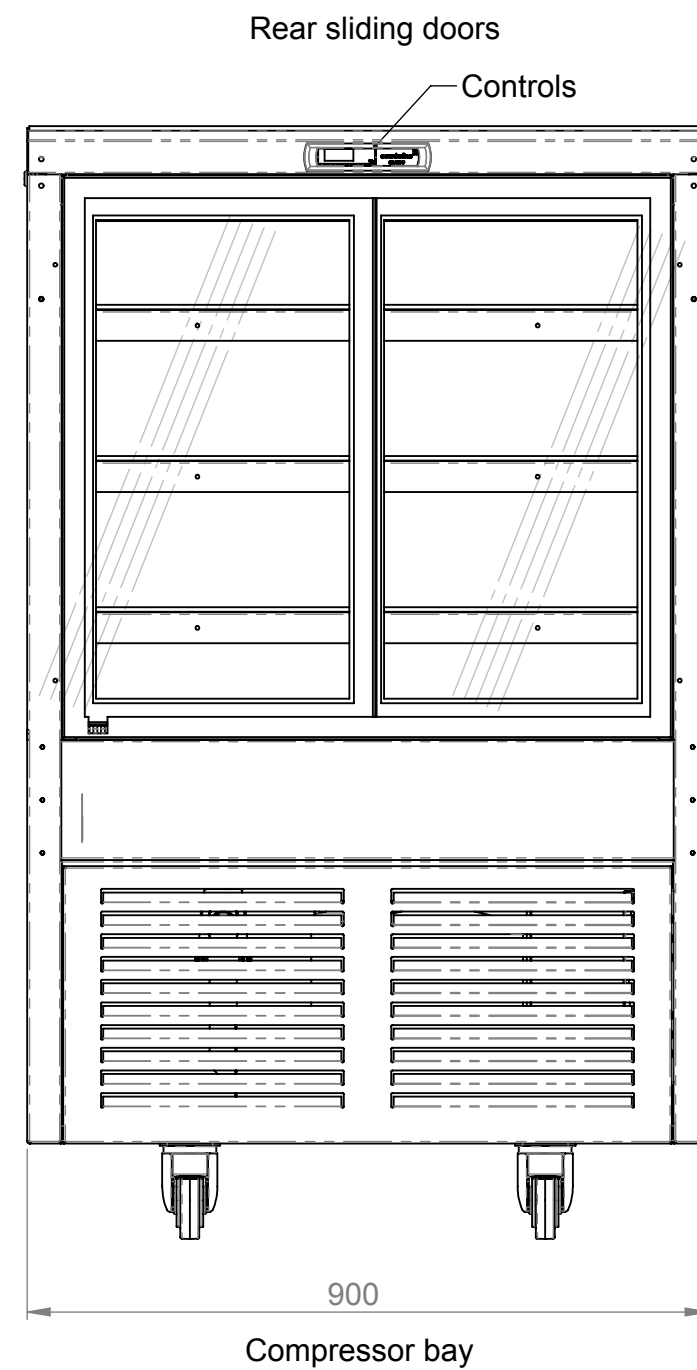
This drawing and the information properties contained there on is the property of Counterline Ltd and must not be copied or issued to a third party without the prior consent of Counterline Ltd.



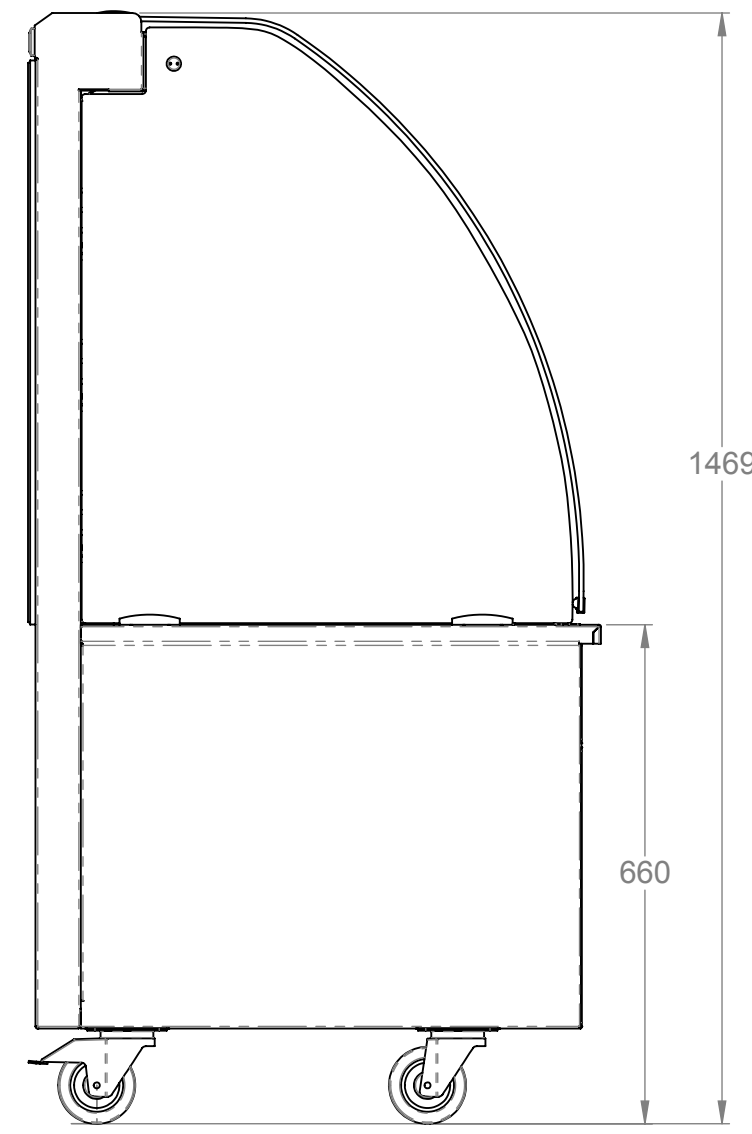
Plan



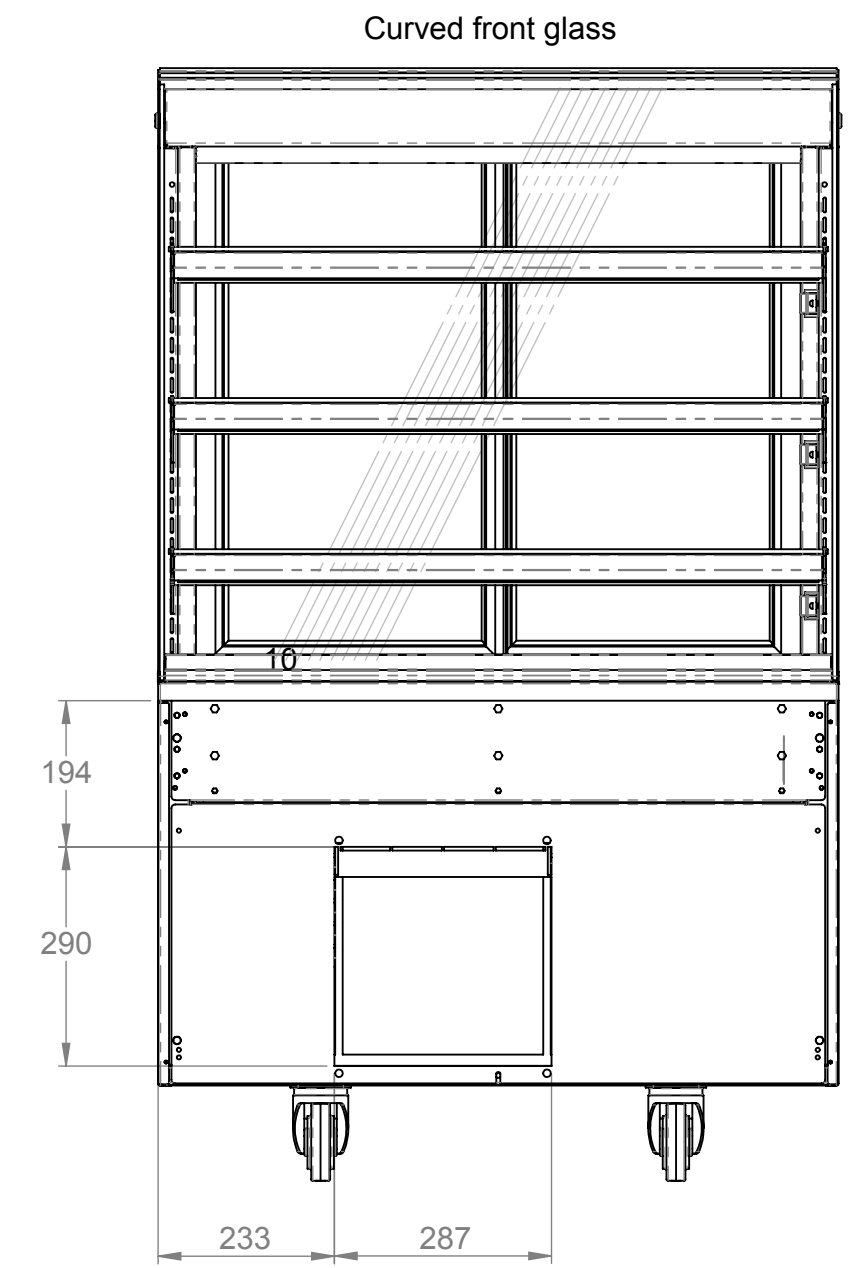
End elevation



Rear elevation



End elevation



Front elevation

Electrical Spec - 13A, 230V, 1.9Kw
via 13A plugtop on 2.5 Metre lead
Weight 183Kg Approx

Assembly No - VCL900-GO

Issue	Date	Description
<p>Randles Rd, Knowsley Business Park, Merseyside L34 9HZ. Tel: 0151 548 2211 Fax: 0151 549 2179</p>		
Title: Vision Enclosed Chilled 900 (Lift up Glass)		
Drg No :	Issue:	Date: 02/09/2014
14-162--A		Scale: 1:10 @ A2
		Chk'd:
Drn by: G Burgess	All dims in MM	Date: