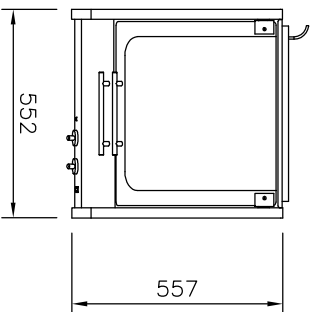
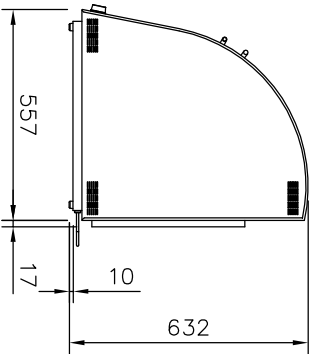


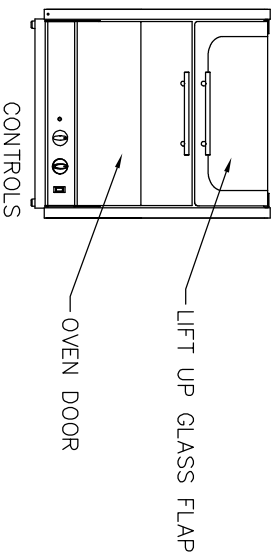
END ELEVATION



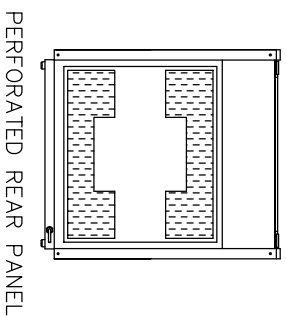
PLAN VIEW



END ELEVATION



REAR ELEVATION



FRONT ELEVATION

DISPLAY SUPPLIED WITH 1500mm LEAD & PLUGTOP

ELECTRICAL INFO: 13A, 230V, 2.8KW

WEIGHT: 37Kg

PRODUCT RANGE: SOLUTIONS

DESC.: HEATED ASSISTED BAKING & DISPLAY  
OVEN – COUNTERTOP DISPLAY

OPTION:

ID CODE:

VBOF

**counterline**

RANDLES RD, KNOWSLEY BUSINESS PARK, MERSEYSIDE L34 9HZ.

Tel: 0151 548 2211

Fax: 0151 549 2179

ISSUE:

1



SCALE: 1:20 @ A4