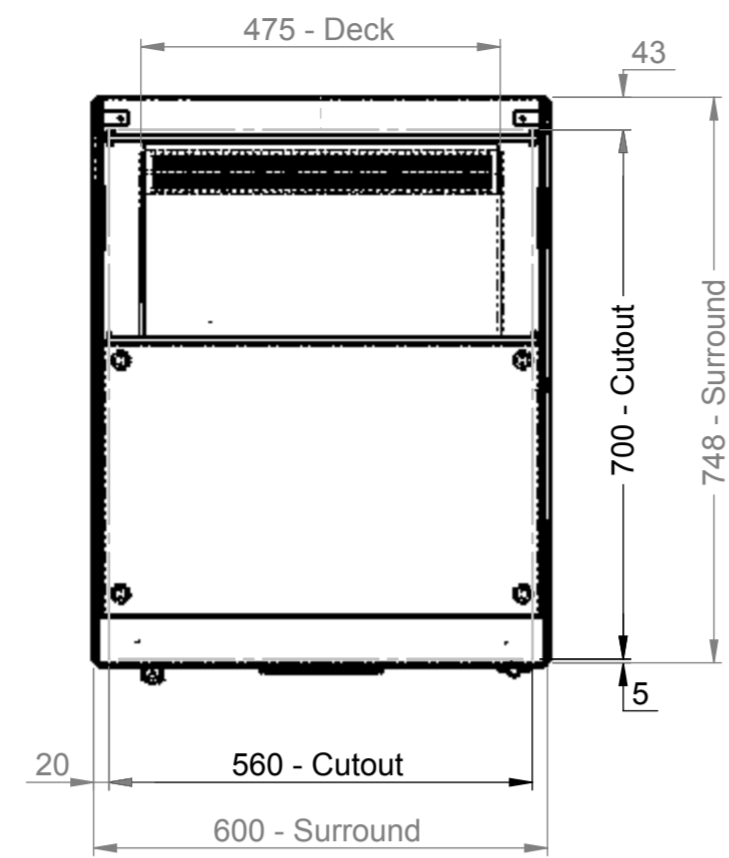
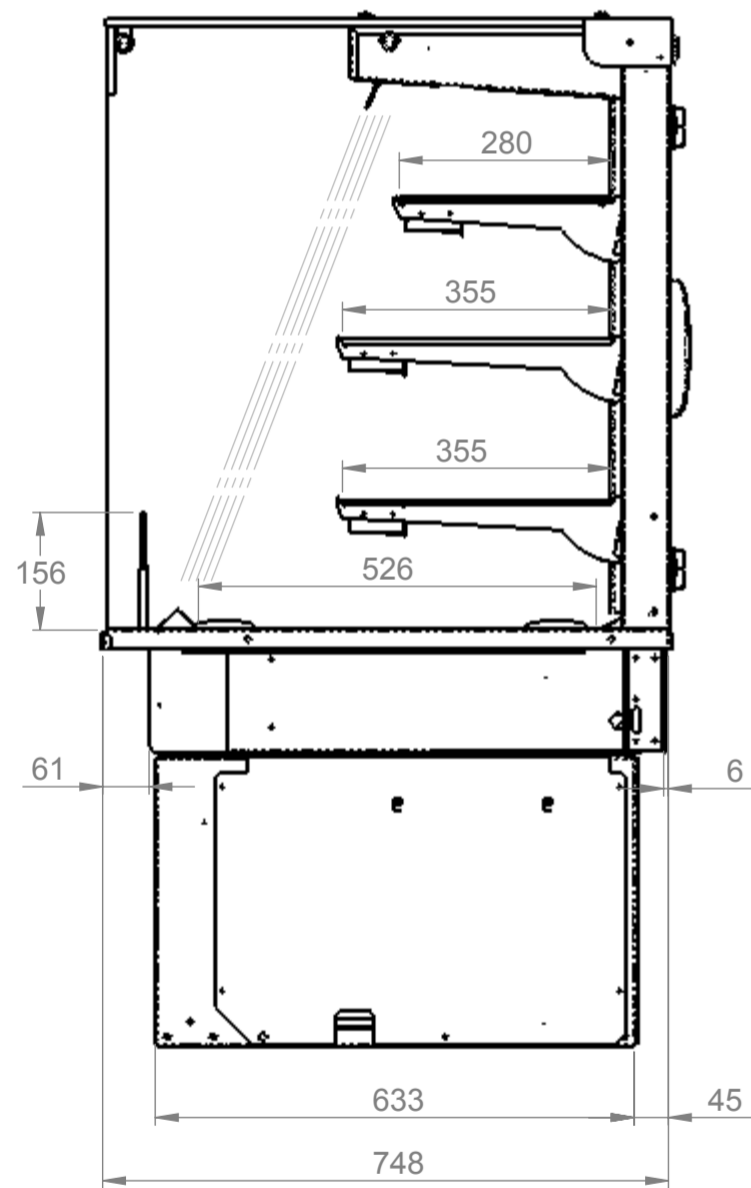




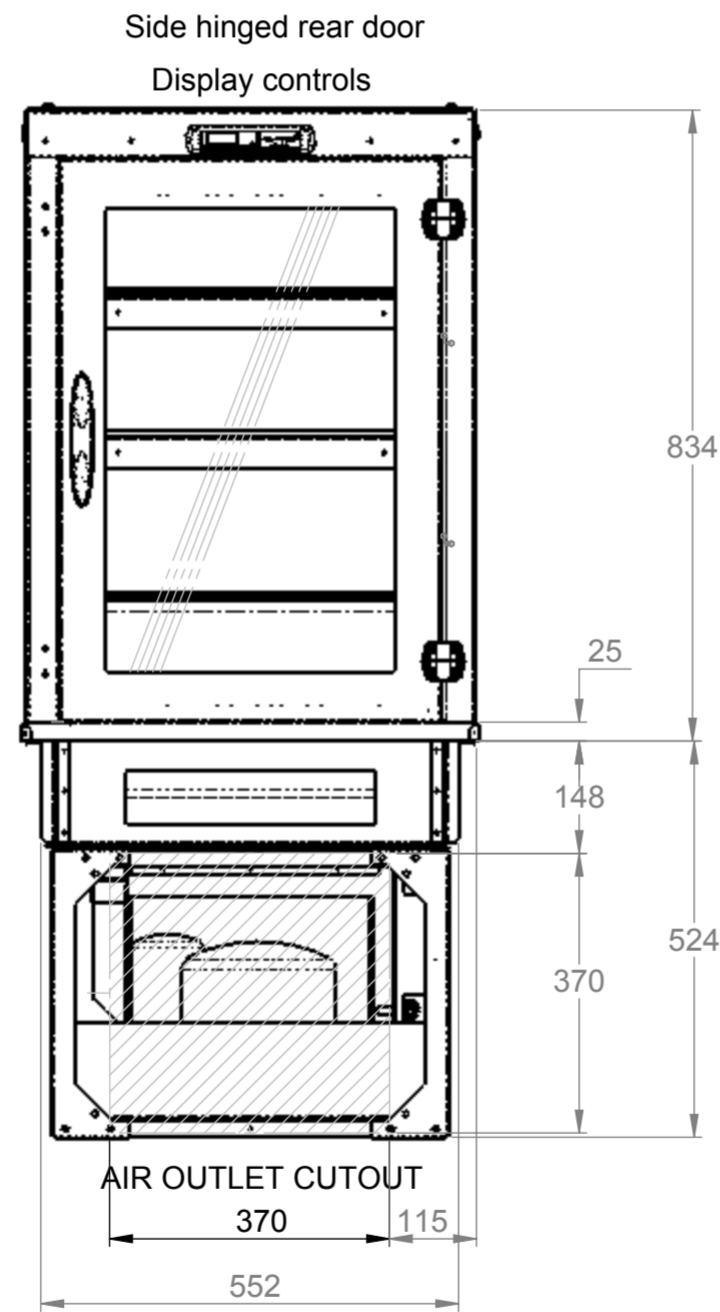
This drawing and the information properties contained there on is the property of Counterline Ltd and must not be copied or issued to a third party without the prior consent of Counterline Ltd.



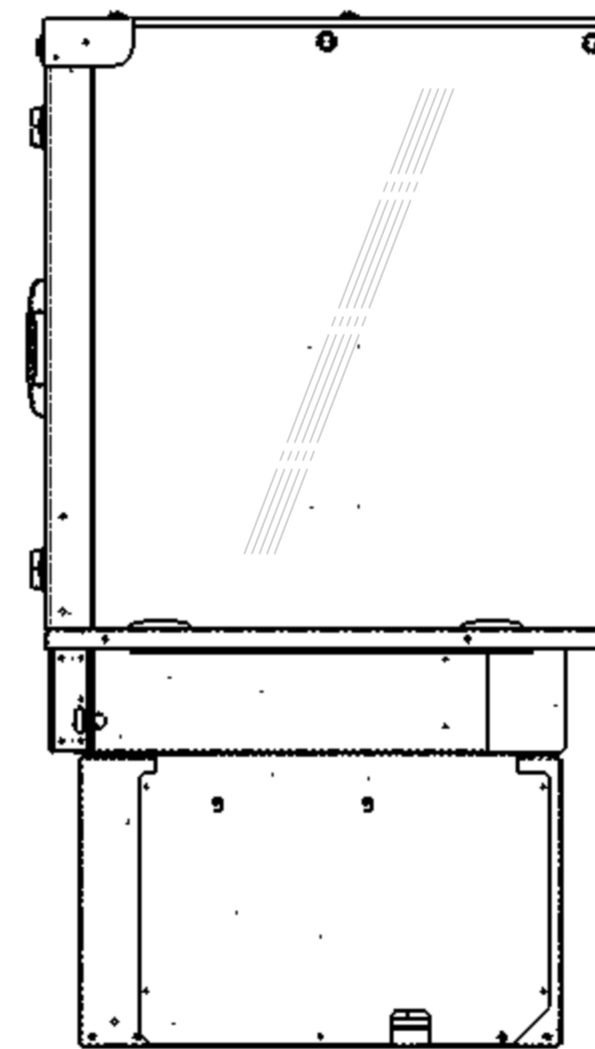
Plan



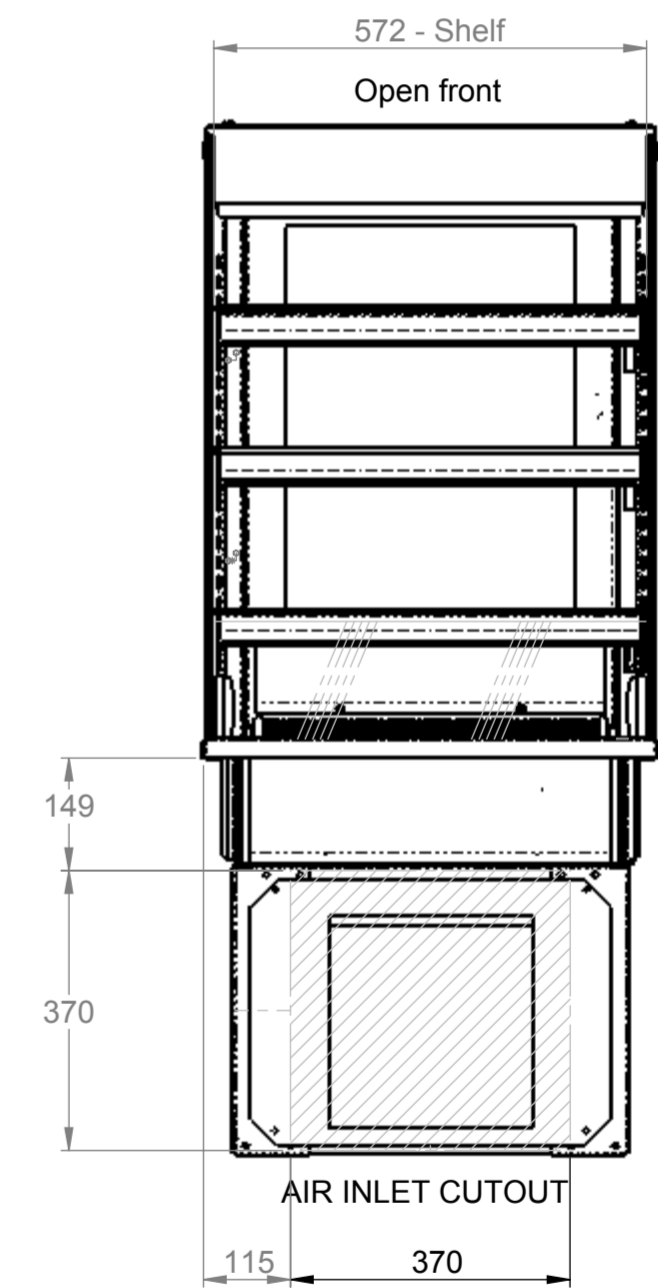
End elevation



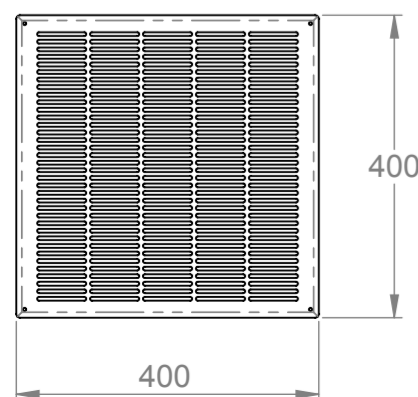
Rear elevation



End elevation



Front elevation



Stainless steel air inlet-outlet grille details

Electrical Spec - 13A, 230V, 1.8Kw
via 13A plug top on 2.5 Metre lead
Weight - 115Kg Approx

Assembly No - SVOCDI600-GO

Issue	Date	Description
Randles Rd, Knowsley Business Park, Merseyside L34 9HZ. Tel: 0151 548 2211 Fax: 0151 549 2179		
Title: Vision SQ Open Chilled Display 600		
Drg No :	Issue:	Date: 22/09/2015
14-224--A		Scale: 1:10 @ A2
		Chk'd:
Drn by: G Burgess	All dims in MM	Date: