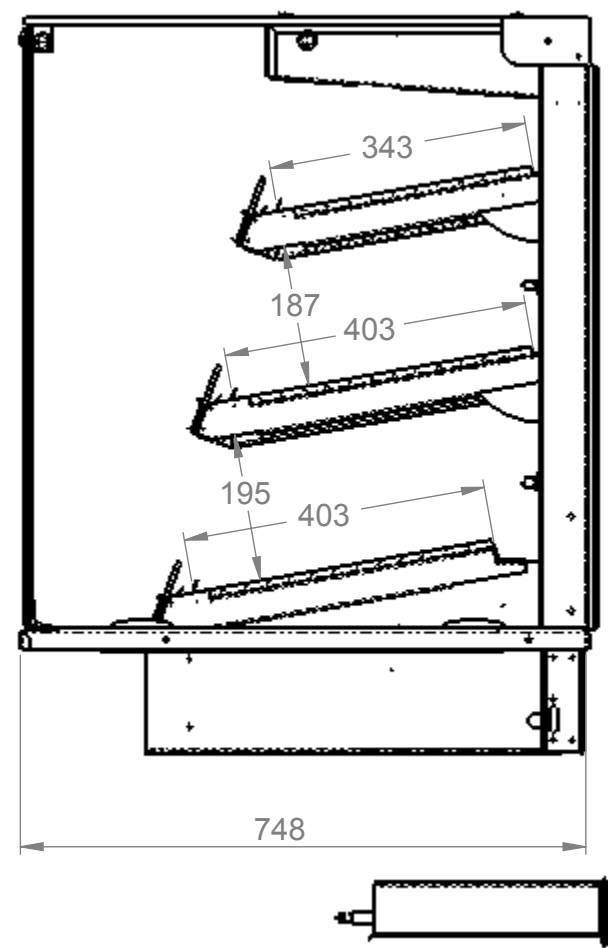
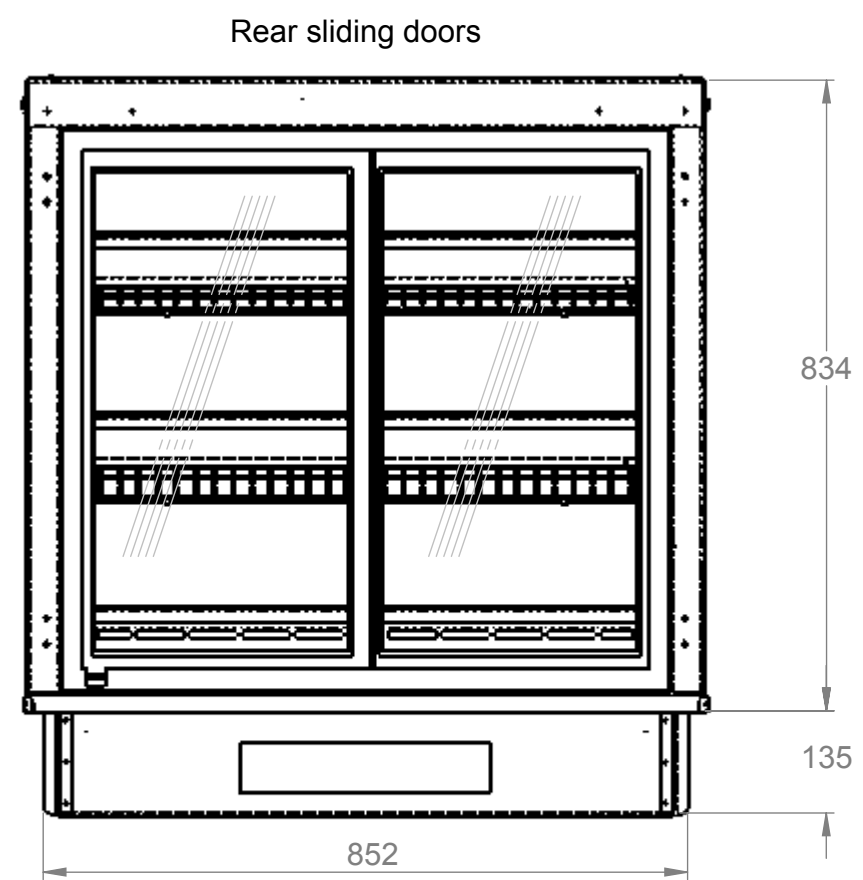


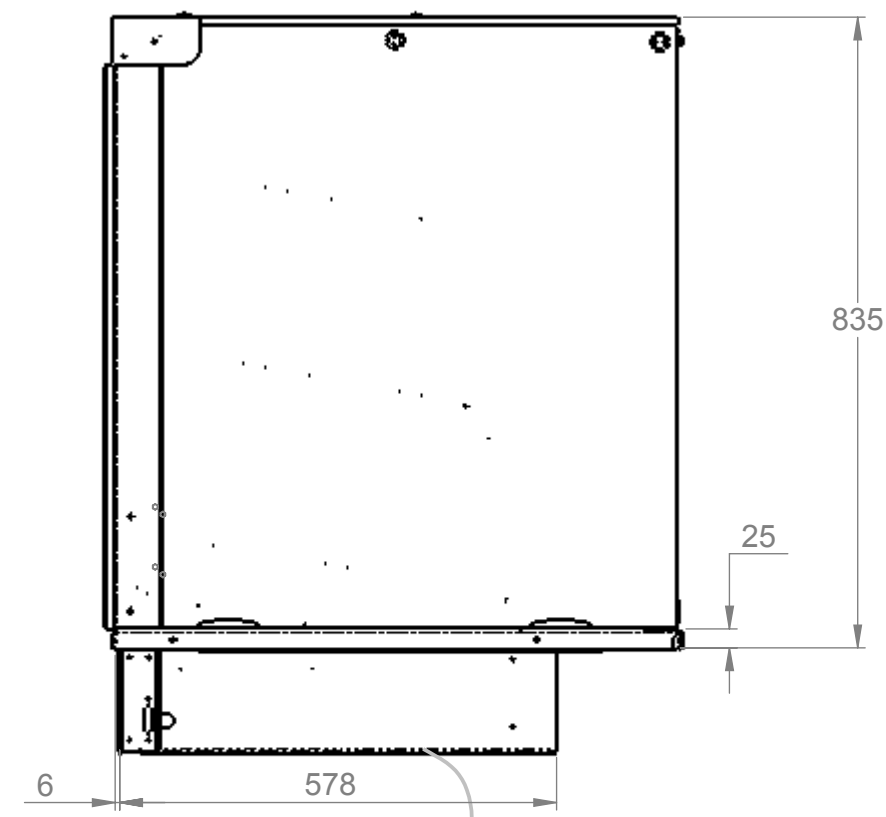
Plan



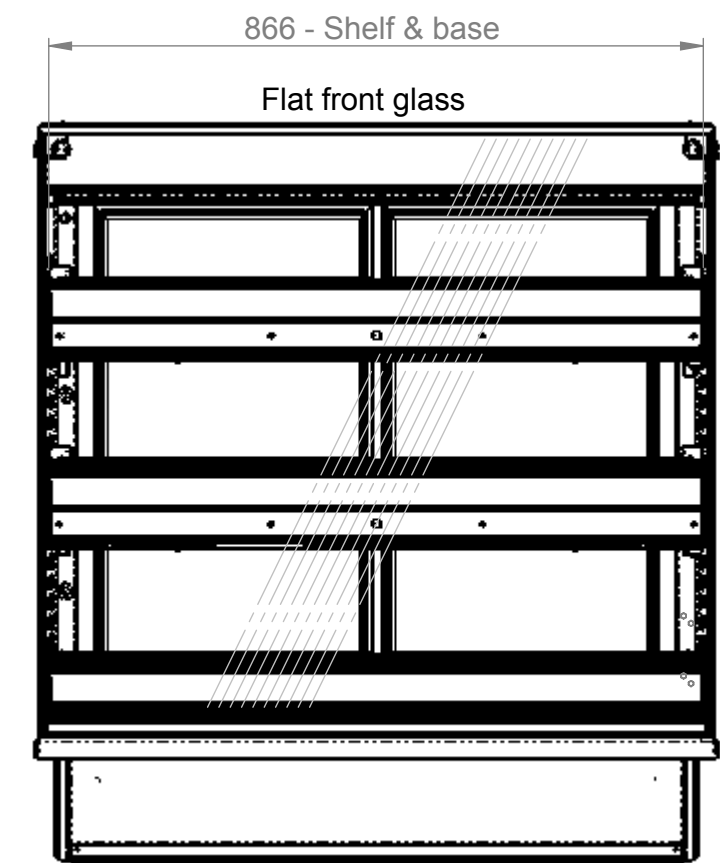
End elevation



Rear elevation



End elevation



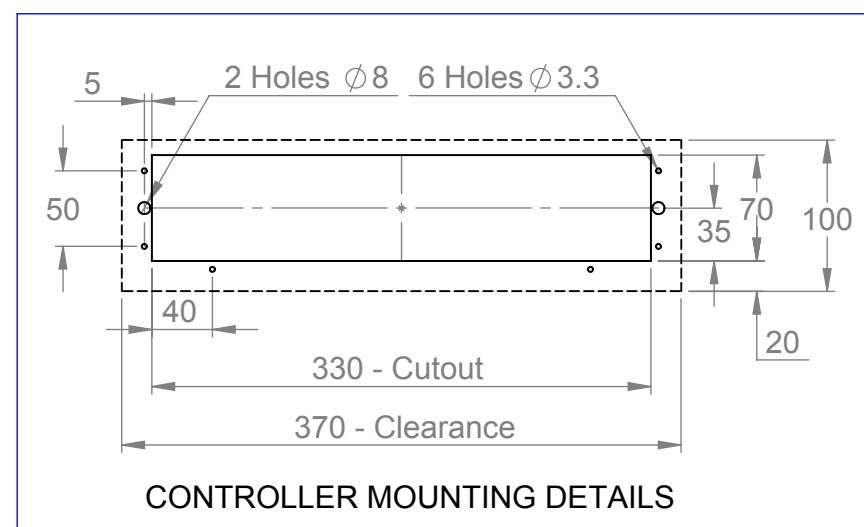
Front elevation



Display controls



2.5 Metre cable



CONTROLLER MOUNTING DETAILS

Display controller to be located in an accessible position & the void temperature should not exceed 50 °C

Electrical Spec - 13A, 230V,
(min 2.0Kw - max 3.0Kw)
via 13A plugtop on 2.5 Metre lead
Weight - 87Kg Approx

Assembly No - SVHFDI900-GO

Issue	Date	Description
Randles Rd, Knowsley Business Park, Merseyside L34 9HZ. Tel: 0151 548 2211 Fax: 0151 549 2179		
Title: Vision SQ Enclosed Heated Display 900 Long		
Drg No :	Issue:	Date: 26/10/2015
14-084--A		Scale: 1:10 @ A2
Chk'd:		Date:
Drn by: G Burgess	All dims in MM	Date: