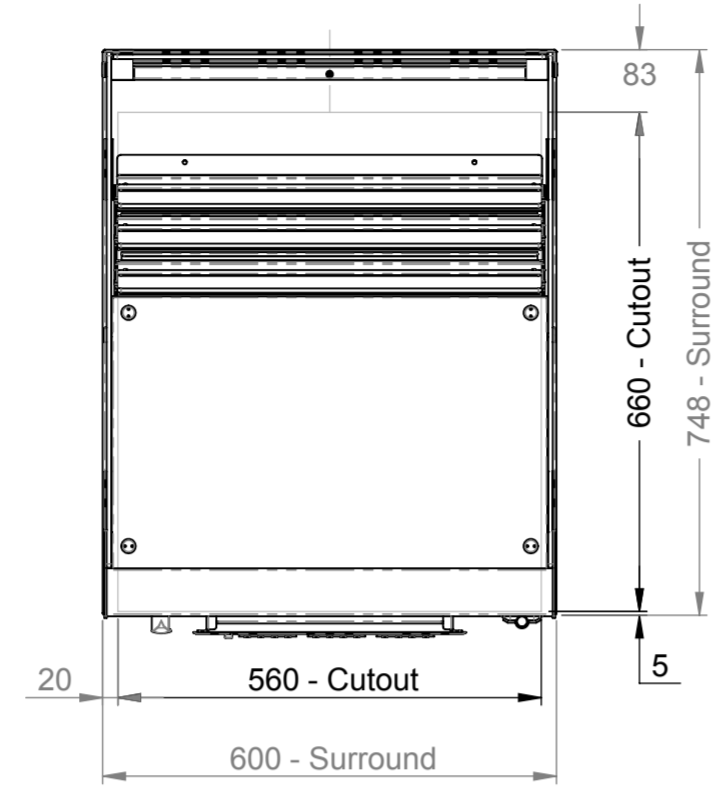


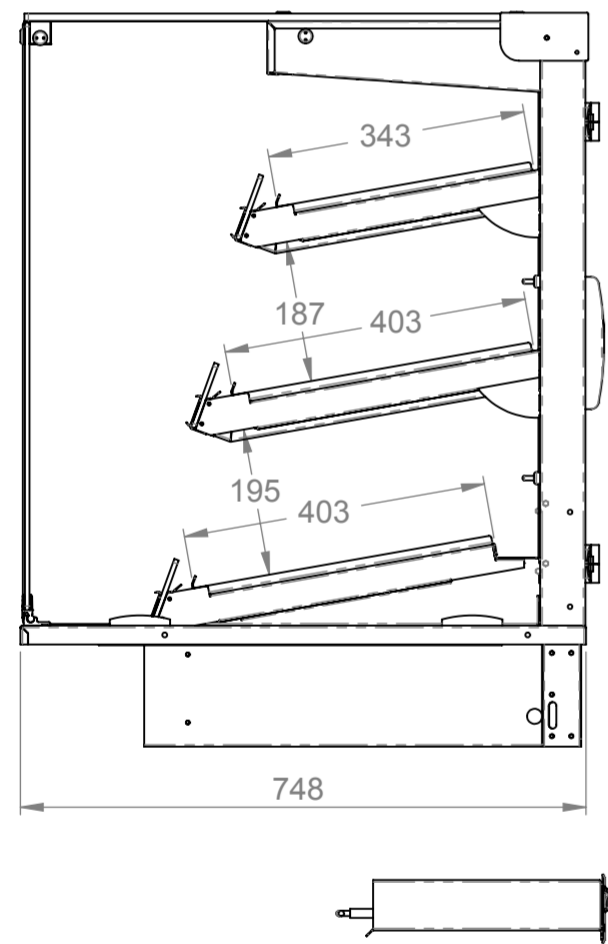


This drawing and the information properties contained there on is the property of Counterline Ltd and must not be copied or issued to a third party without the prior consent of Counterline Ltd.

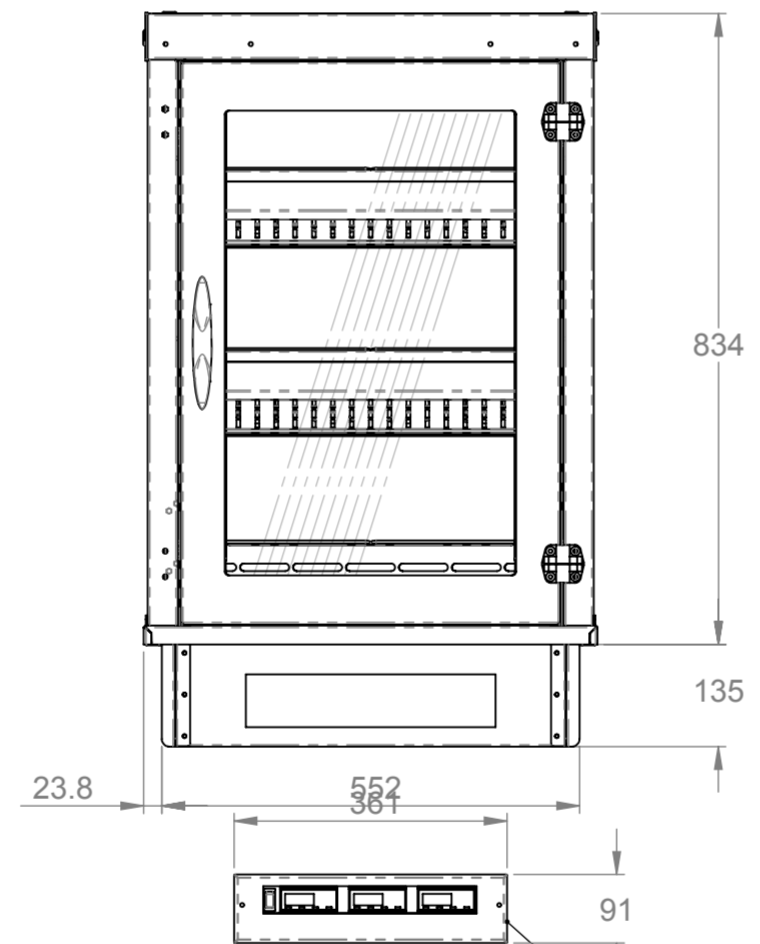


Plan

Rear side hinged door

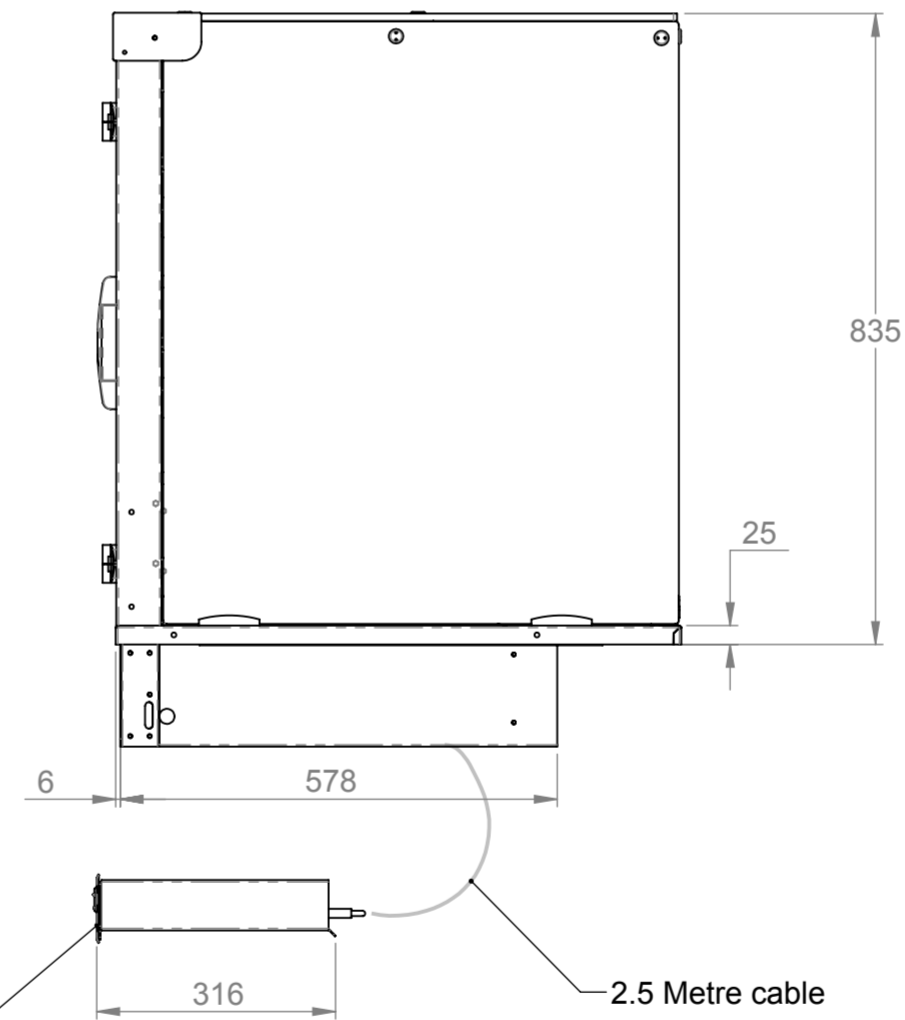


End elevation

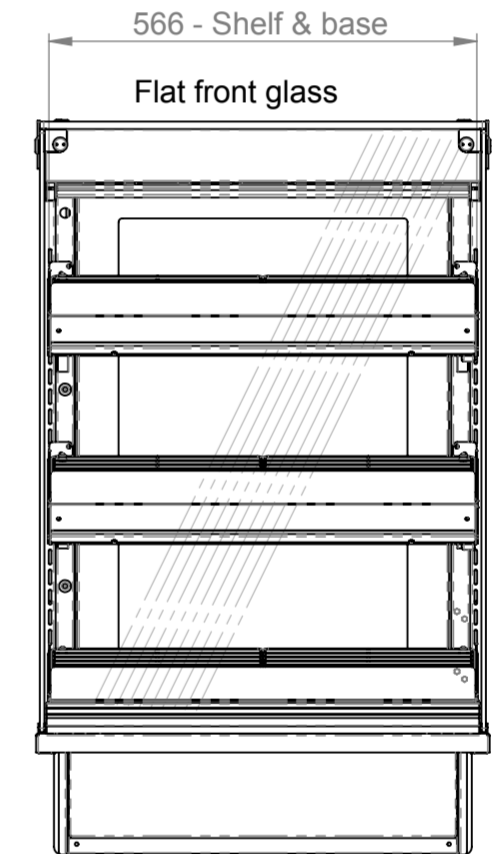


Rear elevation

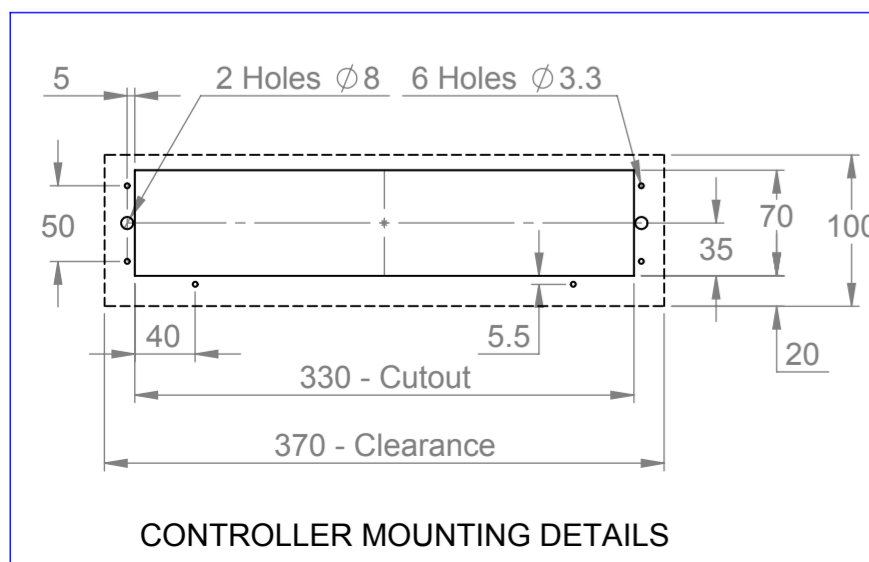
Display controls



End elevation



Front elevation



Display controller to be located in an accessible position & the void temperature should not exceed 50°C

Electrical Spec - 13A, 230V,
(min 1.5Kw - max 3.0Kw)
via 13A plugtop on 2.5 Metre lead
Weight - 73Kg Approx

Assembly No - SVHFDI600-GO

| Issue | Date | Description |
|--|----------------|------------------|
| | | |
| Randles Rd, Knowsley Business Park, Merseyside L34 9HZ. Tel: 0151 548 2211 Fax: 0151 549 2179 | | |
| Title: Vision SQ Enclosed Front Heated Display 600 Long | | |
| Drg No : | Issue: | Date: 26/10/2015 |
| 13-209--A | | Scale: 1:10 @ A2 |
| Drn by: G Burgess | All dims in MM | Chk'd: Date: |