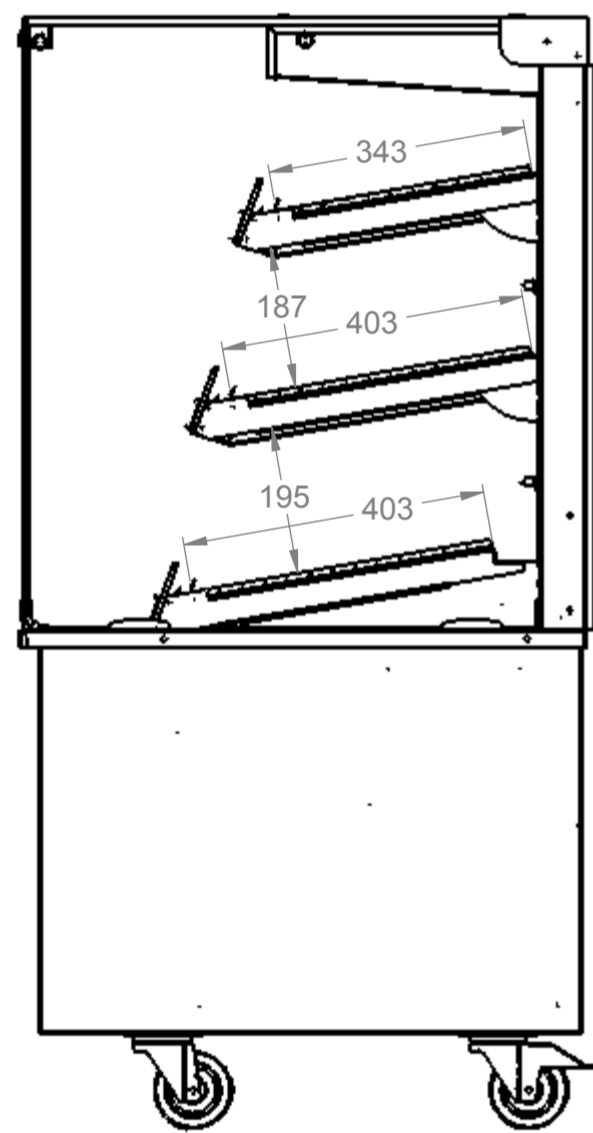
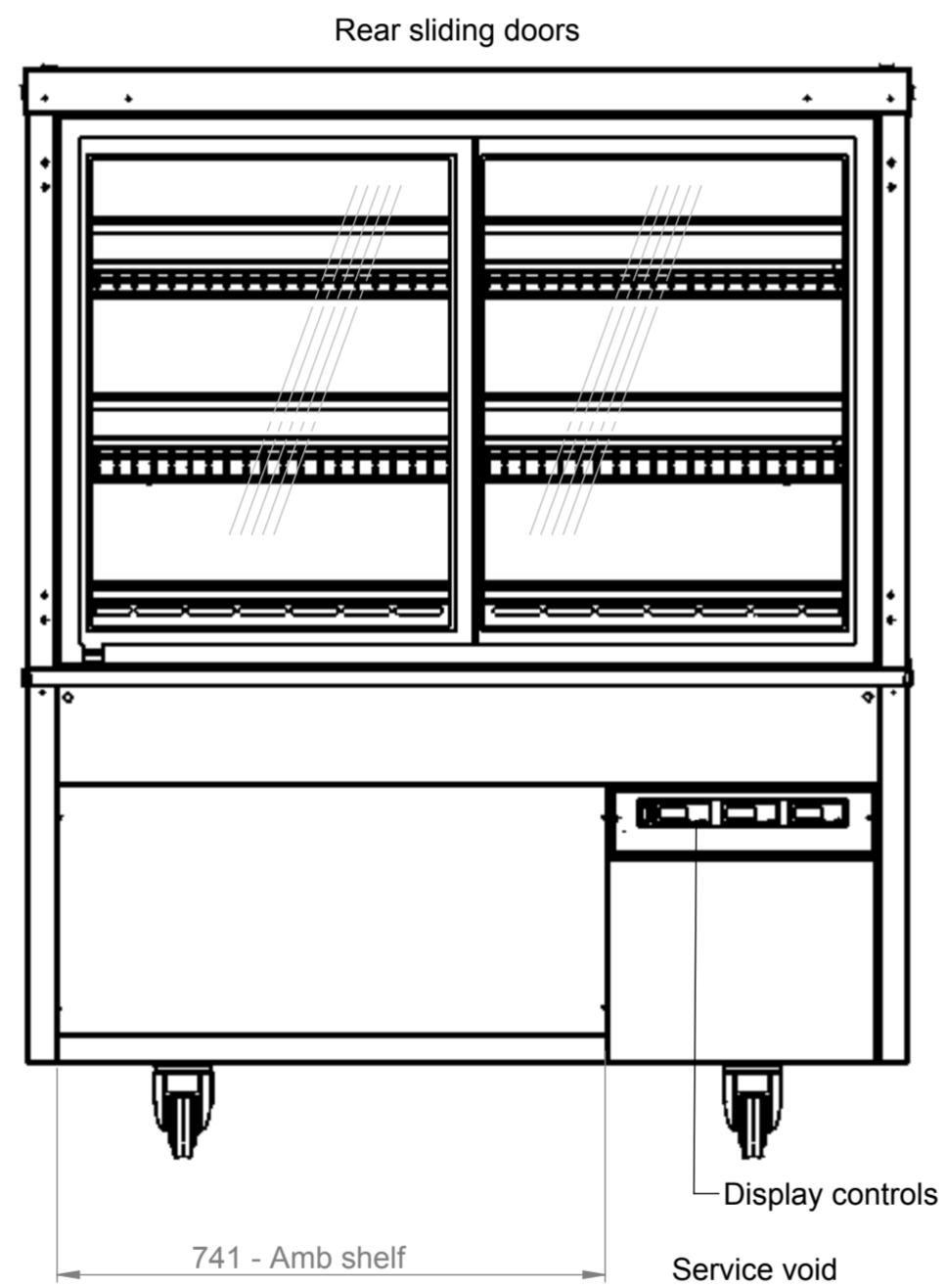


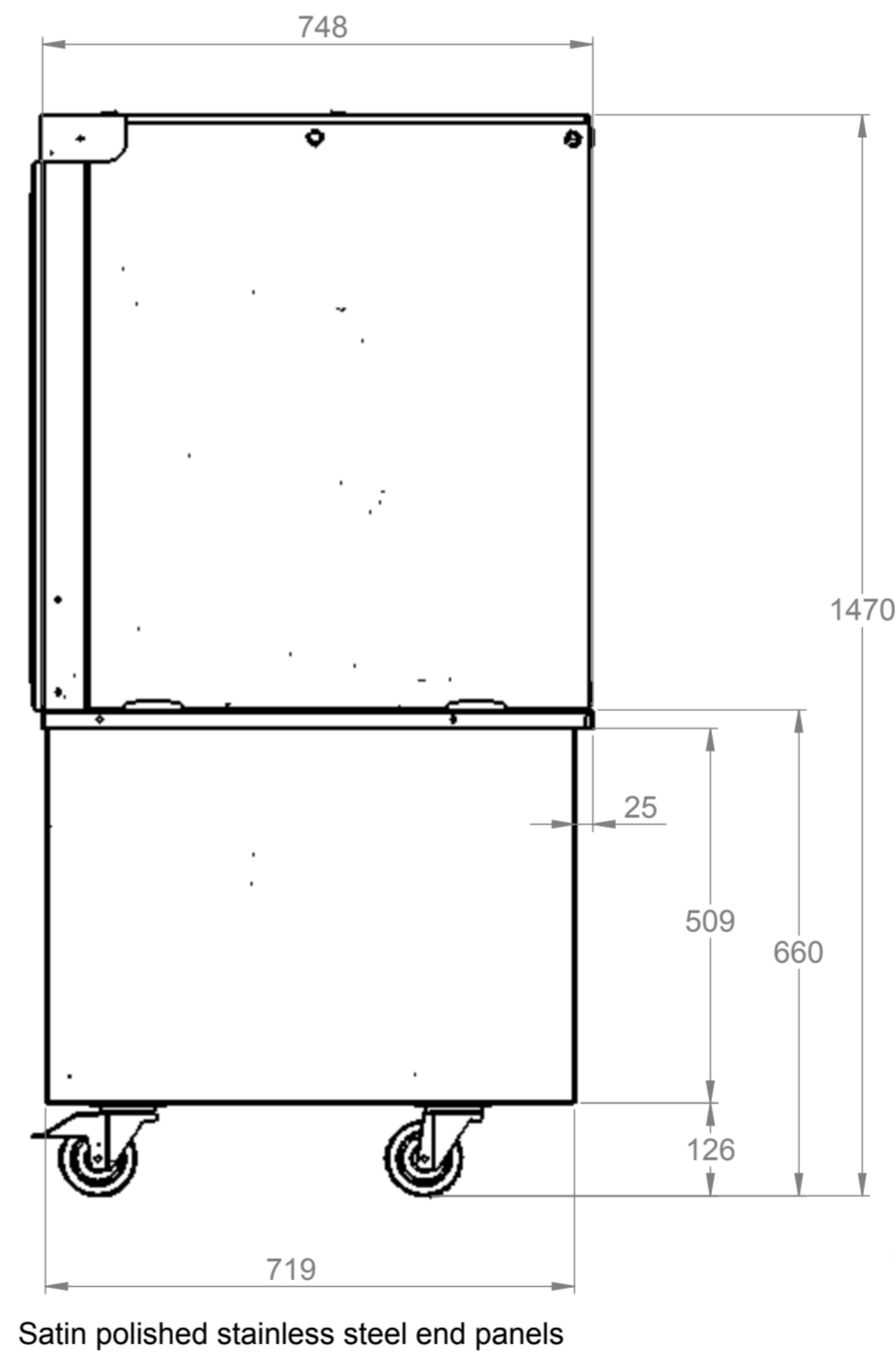
Plan



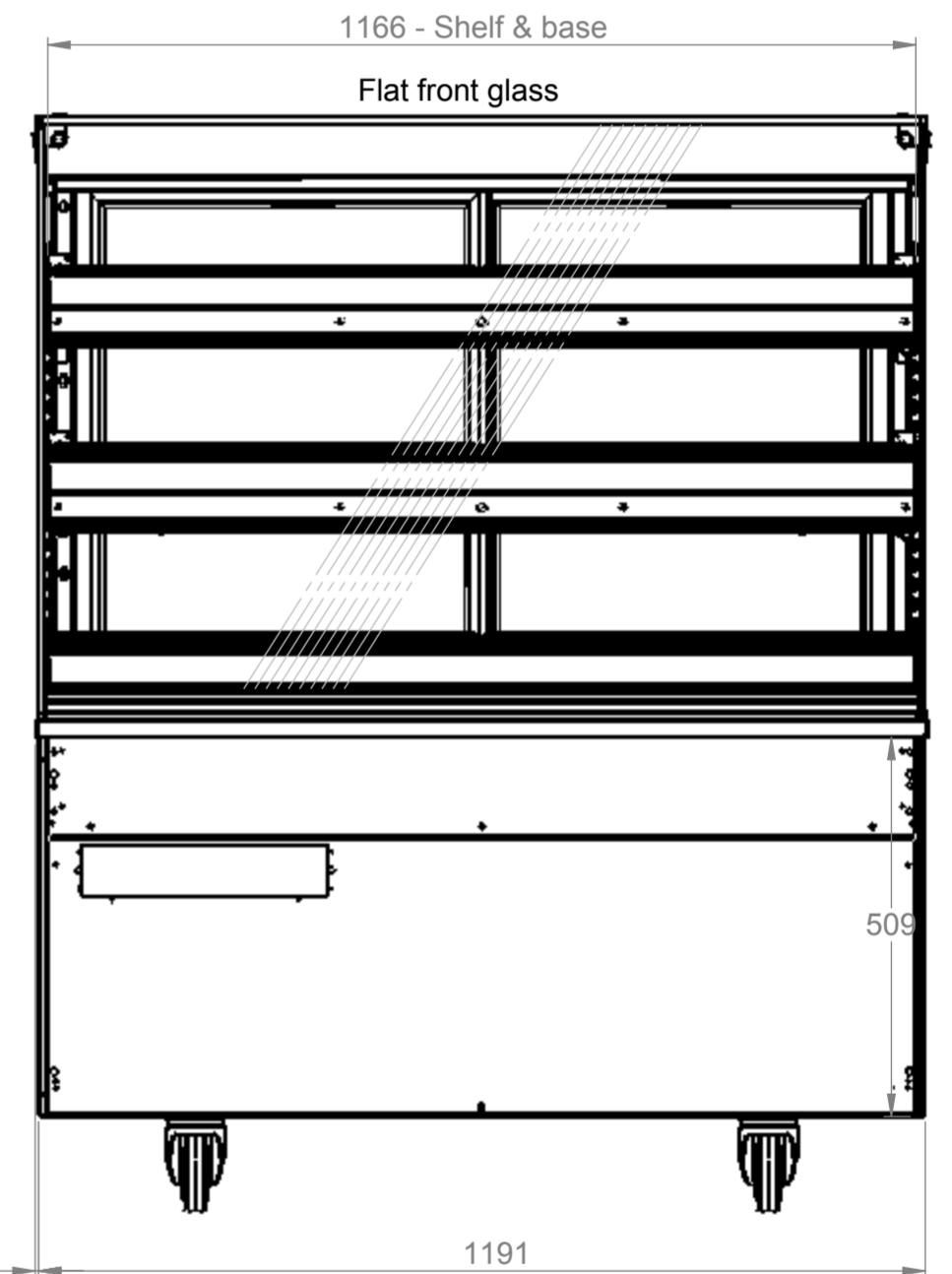
End elevation



Rear elevation




End elevation



Front elevation

Electrical Spec - 13A 230V,
(min 1.5Kw - max 3.0Kw)
via 13 Amp plugtop on 2.5 Metre lead
Weight - 159Kg Approx

Assembly No - SVHF1200-GO

Issue	Date	Description
 Randles Rd, Knowsley Business Park, Merseyside L34 9HZ. Tel: 0151 548 2211 Fax: 0151 549 2179		
Title: Vision SQ Enclosed Heated Display 1200 Long		
Drng No :	Issue:	Date: 26/10/2015
14-114--A		Scale: 1:10 @ A2
		Chk'd:
Drn by: G Burgess	All dims in MM	Date: