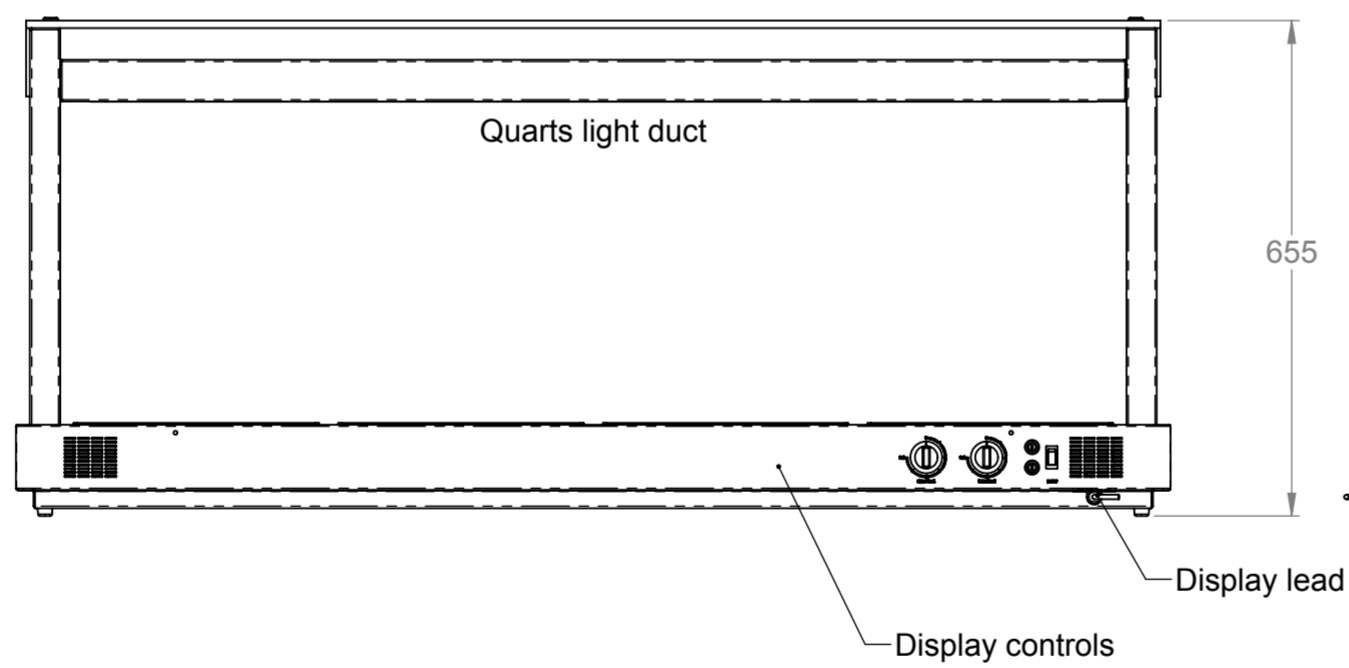
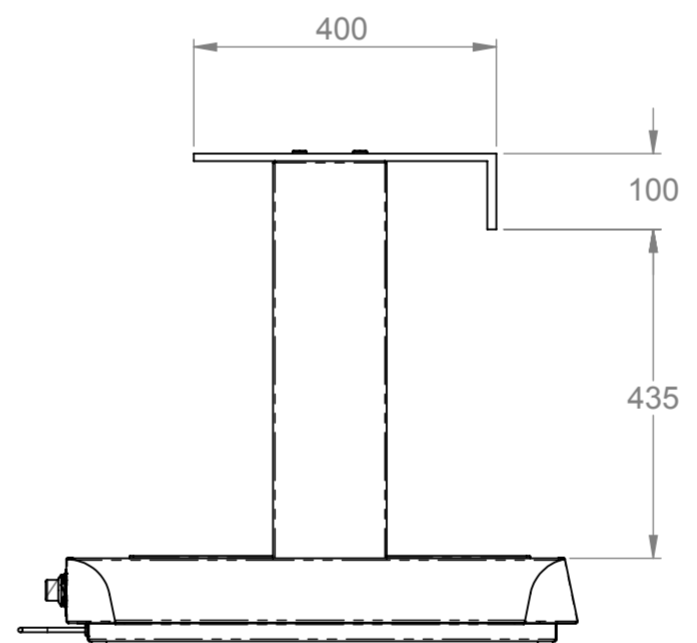


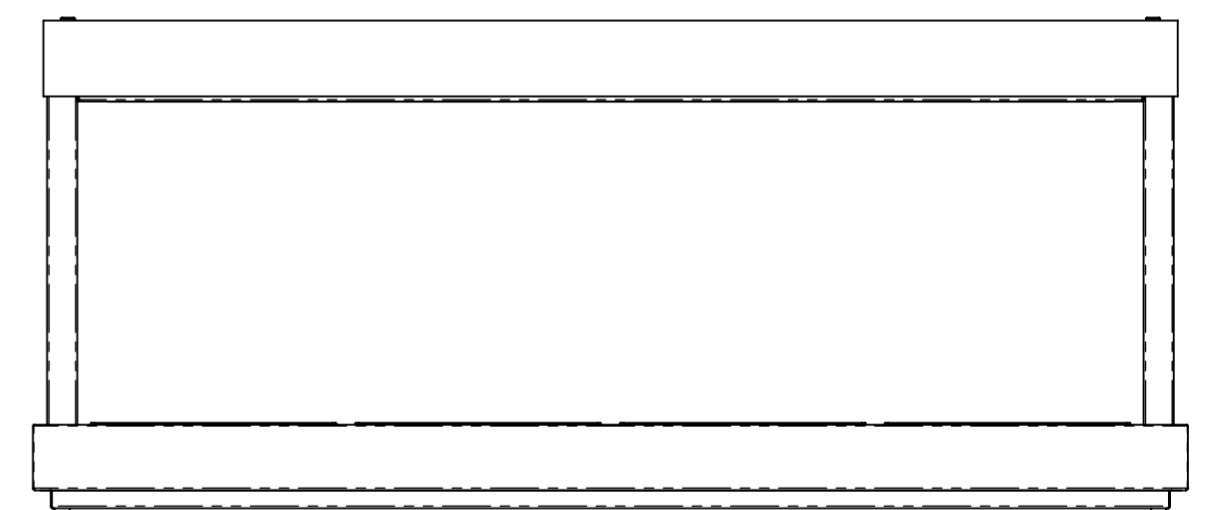
End elevation



Rear elevation



End elevation



Front elevation

Assembly No - MHCTBM4

Issue	Date	Description
<p>Randles Rd, Knowsley Business Park, Merseyside L34 9HZ. Tel: 0151 548 2211 Fax: 0151 549 2179</p>		
Title: MAN - Dry Heat Bain Marie 4-1		
Drg No :	Issue:	Date: 18/09/2015
15-768--A		Scale: 1:10 @ A2
		Chk'd:
Drn by: RGainey	All dims in MM	Date: