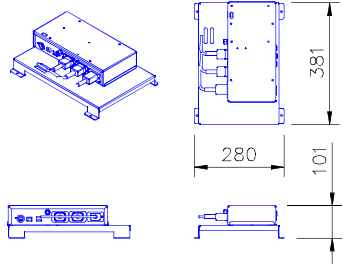


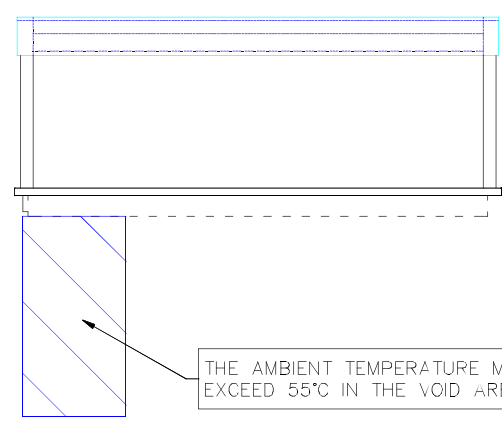
A

A



DISPLAY POWER BOARD DETAILS

FOR FURTHER DETAILS PLEASE REFER TO THE HEATED INSTALLATION DETAILS

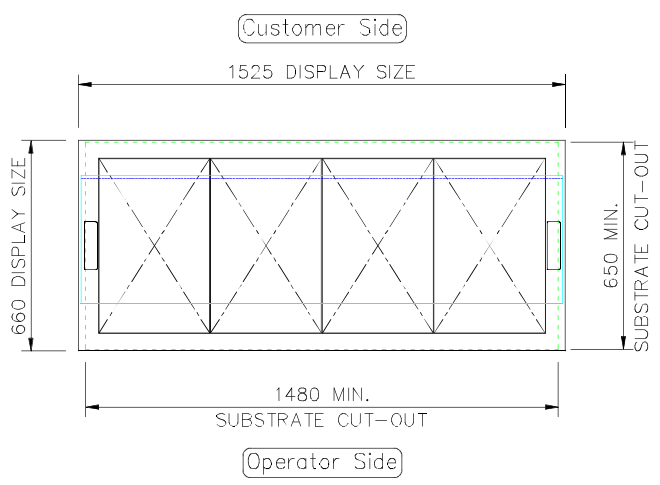


THE AMBIENT TEMPERATURE MUST NOT EXCEED 55°C IN THE VOID AREA INDICATED.

FRONT ELEVATION

B

B

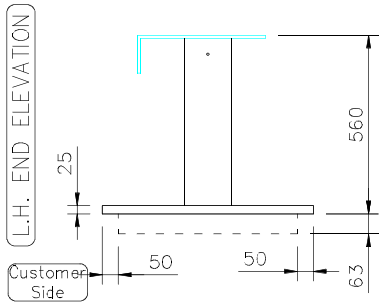


PLAN VIEW

NOTE: IF DISPLAY IS TO BE FLUSH MOUNTED INTO WORKTOP, ADD 4 - 6mm TO DISPLAY SIZES FOR WORKTOP CUT-OUT

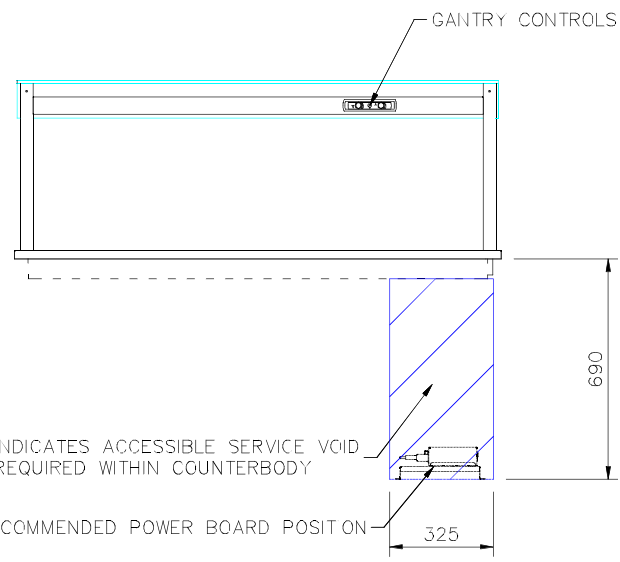
D

D



L.H. END ELEVATION

Customer Side



REAR ELEVATION

INDICATES ACCESSIBLE SERVICE VOID REQUIRED WITHIN COUNTERBODY

RECOMMENDED POWER BOARD POSITION

E

E

PRODUCT RANGE: MANHATTAN
DESC.: 4-1Gn SELF HELP CERAMIC GLASS HOTPLATE

OPTION:

ID CODE: MHCGH4-GO

OPTION CODE:



RANGLES RD, KNOWSLEY BUSINESS PARK, MERSEYSIDE L34 9HZ.

Tel: 0151 548 2211

Fax: 0151 549 2179

ELECTRICAL INFO: 13A, 230V, 2.4KW WEIGHT: 50Kg

ISSUE: 1 SCALE: 1:25 @ A4