

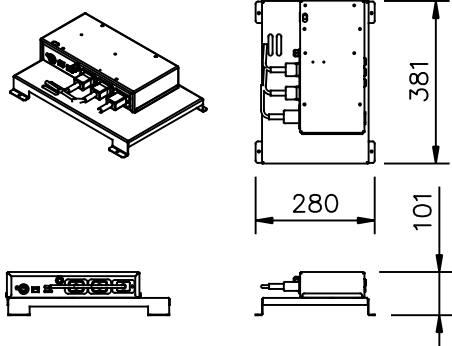
1

2

3

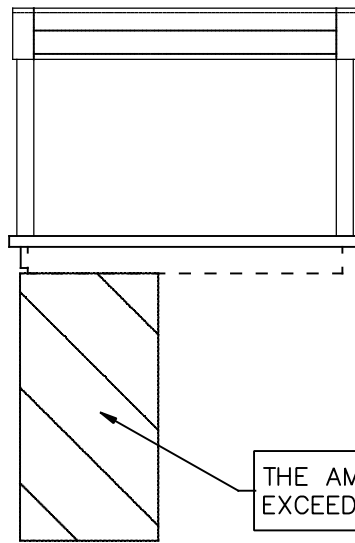
A

A



DISPLAY POWER BOARD DETAILS

FOR FURTHER DETAILS PLEASE REFER TO THE HEATED INSTALLATION DETAILS

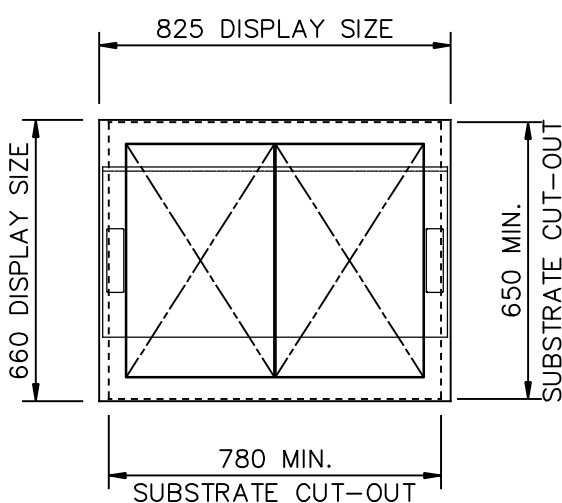


FRONT ELEVATION

B

B

Customer Side



Operator Side

PLAN VIEW

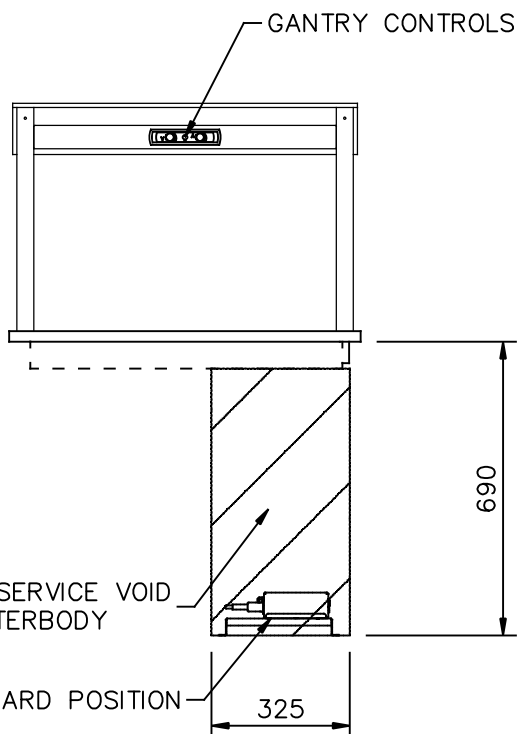
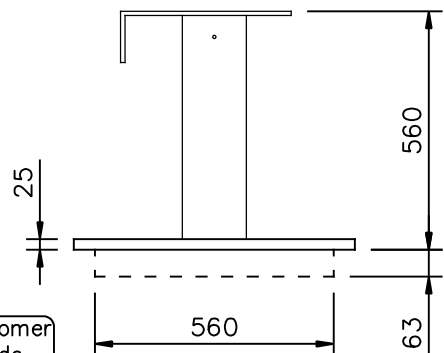
NOTE: IF DISPLAY IS TO BE FLUSH MOUNTED INTO WORKTOP, ADD 4 - 6mm TO DISPLAY SIZES FOR WORKTOP CUT-OUT

D

D

L.H. END ELEVATION

Customer Side



REAR ELEVATION

E

E

PRODUCT RANGE: MANHATTAN  
 DESC.: 2-1Gn SELF HELP CERAMIC GLASS HOTPLATE  
 OPTION:



RANDES RD, KNOWSLEY BUSINESS PARK, MERSEYSIDE L34 9HZ.

Tel: 0151 548 2211

Fax: 0151 549 2179

ID CODE: MHCGR2-GO

ELECTRICAL INFO: 13A, 230V, 1.2KW

WEIGHT: 29Kg

OPTION CODE:

ISSUE: 1



SCALE: 1:25 @ A4

1

2