

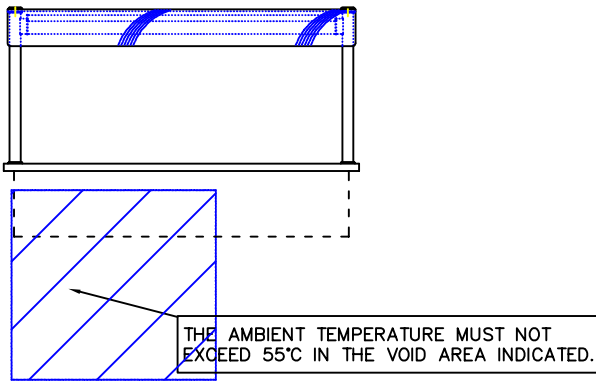
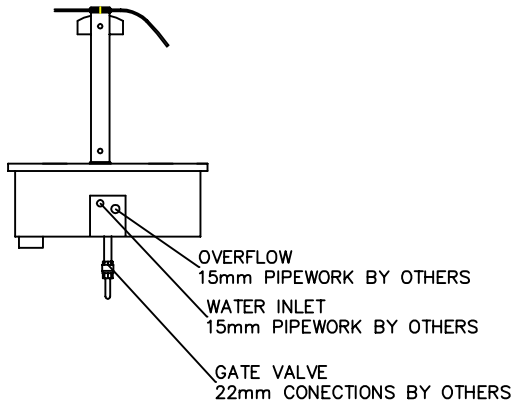
1

2

3

A

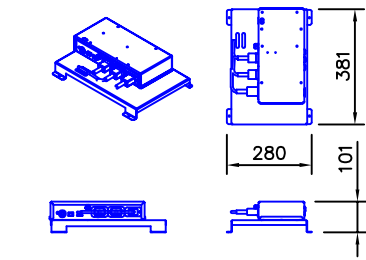
A



FRONT ELEVATION

B

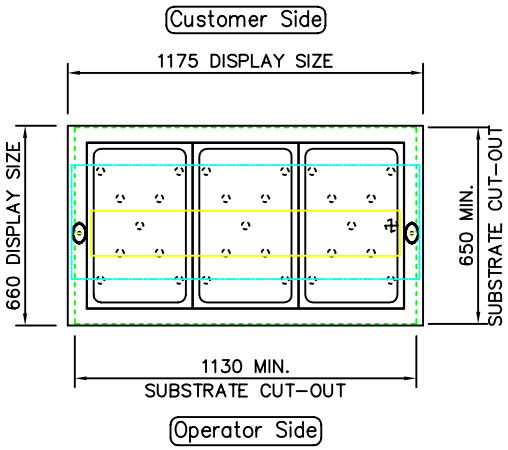
B



DISPLAY POWER BOARD DETAILS

FOR FURTHER DETAILS PLEASE REFER TO THE HEATED INSTALLATION DETAILS

NOTE:
IF DISPLAY IS TO BE FLUSH MOUNTED INTO WORKTOP, ADD 4 - 6mm TO DISPLAY SIZES FOR WORKTOP CUT-OUT



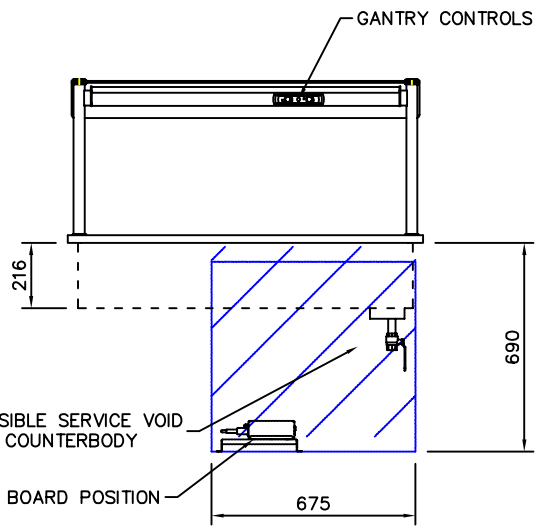
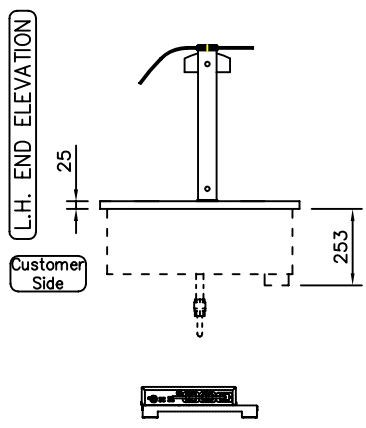
PLAN VIEW

C

C

D

D



REAR ELEVATION

E

E

PRODUCT RANGE: idesign
DESC.: 3-1Gn SELF HELP HEATED WET WELL BAIN MARIE

OPTION:
ID CODE: IHWWBM3-GO

OPTION CODE:

counterline

RANDES RD, KNOWSLEY BUSINESS PARK, MERSEYSIDE L34 9HZ.
Tel: 0151 548 2211 Fax: 0151 549 2179

ELECTRICAL INFO: 20A, 230V, 3.4KW WEIGHT: 44Kg

ISSUE: 1 SCALE: 1:25 @ A4