

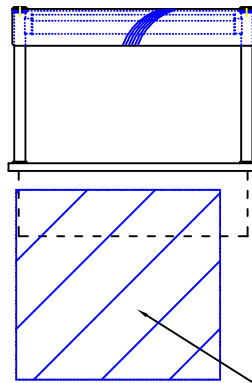
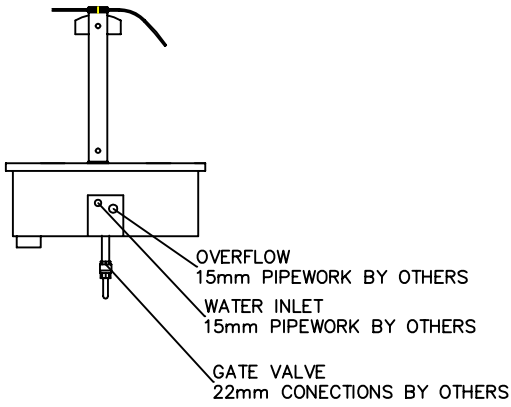
1

2

3

A

A

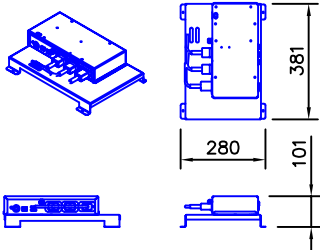


THE AMBIENT TEMPERATURE MUST NOT EXCEED 55°C IN THE VOID AREA INDICATED.

FRONT ELEVATION

B

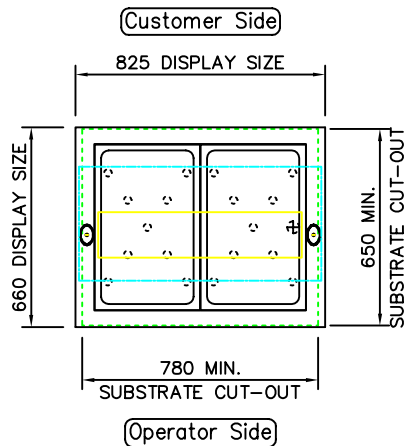
B



DISPLAY POWER BOARD DETAILS

FOR FURTHER DETAILS PLEASE REFER TO THE HEATED INSTALLATION DETAILS

NOTE:
IF DISPLAY IS TO BE FLUSH MOUNTED INTO WORKTOP, ADD 4 - 6mm TO DISPLAY SIZES FOR WORKTOP CUT-OUT



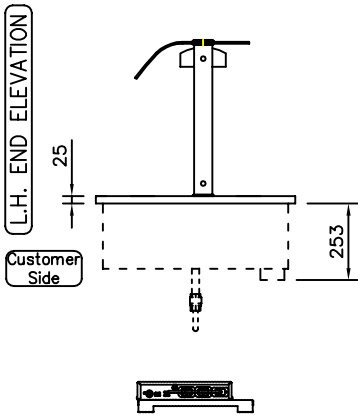
PLAN VIEW

C

C

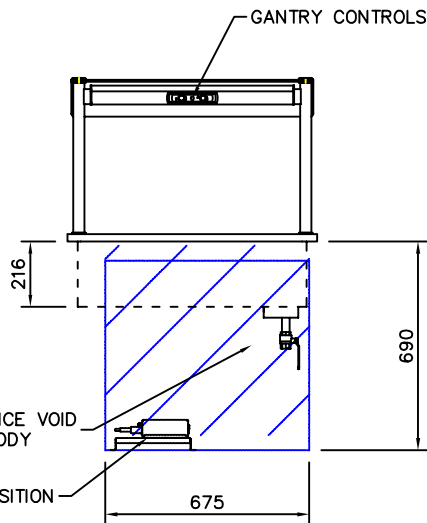
D

D



L.H. END ELEVATION

Customer Side



REAR ELEVATION

E

E

INDICATES ACCESSIBLE SERVICE VOID REQUIRED WITHIN COUNTERBODY
SUGGESTED POWER BOARD POSITION

PRODUCT RANGE: idesign
DESC.: 2-1Gn SELF HELP HEATED WET WELL BAIN MARIE

OPTION:

ID CODE: IHWWBM2-GO

OPTION CODE:

counterline

RANDES RD, KNOWSLEY BUSINESS PARK, MERSEYSIDE L34 9HZ.

Tel: 0151 548 2211

Fax: 0151 549 2179

ELECTRICAL INFO: 13A, 230V, 2.1KW

WEIGHT: 33Kg

ISSUE: 1



SCALE: 1:25 @ A4

1

2