

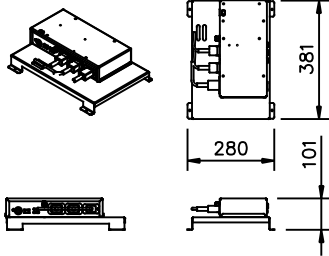
1

2

3

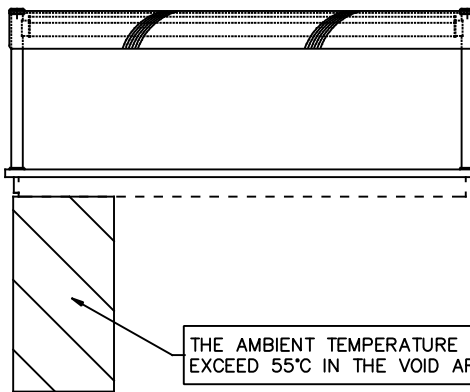
A

A



DISPLAY POWER BOARD DETAILS

FOR FURTHER DETAILS PLEASE REFER TO THE HEATED INSTALLATION DETAILS

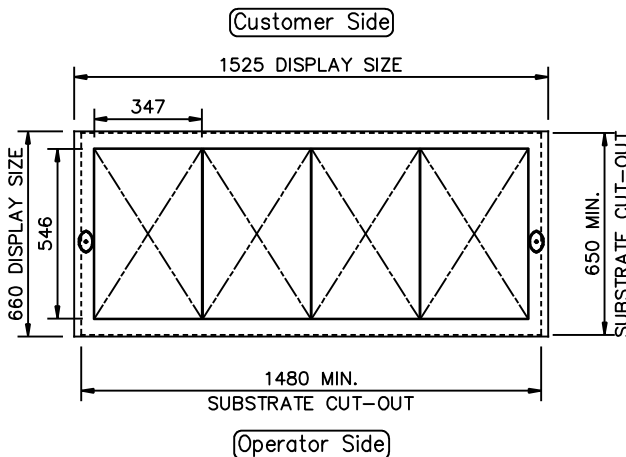


THE AMBIENT TEMPERATURE MUST NOT EXCEED 55°C IN THE VOID AREA INDICATED.

FRONT ELEVATION

B

B



Customer Side

Operator Side

PLAN VIEW

C

C

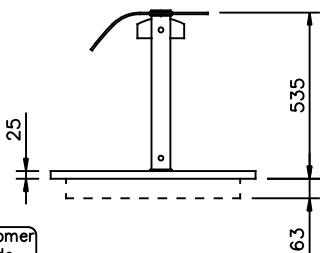
NOTE: IF DISPLAY IS TO BE FLUSH MOUNTED INTO WORKTOP, ADD 4 - 6mm TO DISPLAY SIZES FOR WORKTOP CUT-OUT

D

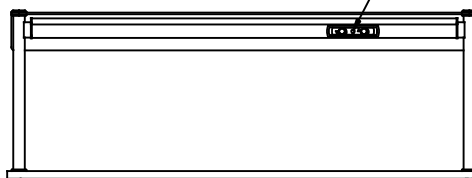
D

L.H. END ELEVATION

Customer Side



GANTRY CONTROLS



690

INDICATES ACCESSIBLE SERVICE VOID REQUIRED WITHIN COUNTERBODY

RECOMMENDED POWER BOARD POSITION

325

REAR ELEVATION

E

E

PRODUCT RANGE: idesign
DESC.: 4-1Gn SELF HELP CERAMIC GLASS HOTPLATE

OPTION:

ID CODE: IHCGH4-GO

OPTION CODE:

counterline



RANGLES RD, KNOWSLEY BUSINESS PARK, MERSEYSIDE L34 9HZ.

Tel: 0151 548 2211

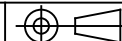
Fax: 0151 549 2179

ELECTRICAL INFO: 13A, 230V, 2.4KW

WEIGHT: 50Kg

ISSUE:

1



SCALE: 1: 25 @ A4

1

2