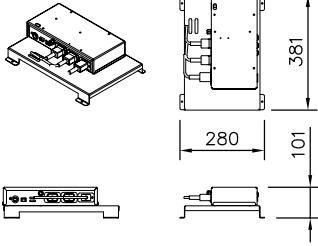
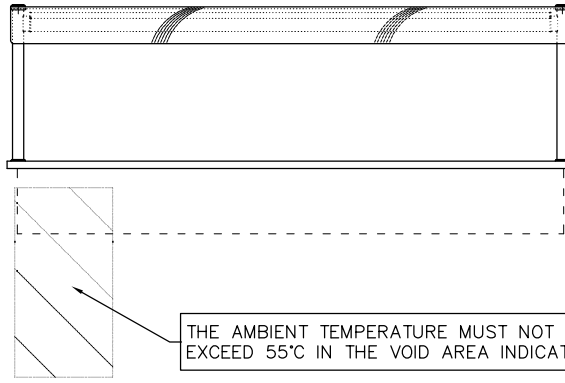


A



DISPLAY POWER BOARD DETAILS

FOR FURTHER DETAILS PLEASE REFER TO THE HEATED INSTALLATION DETAILS

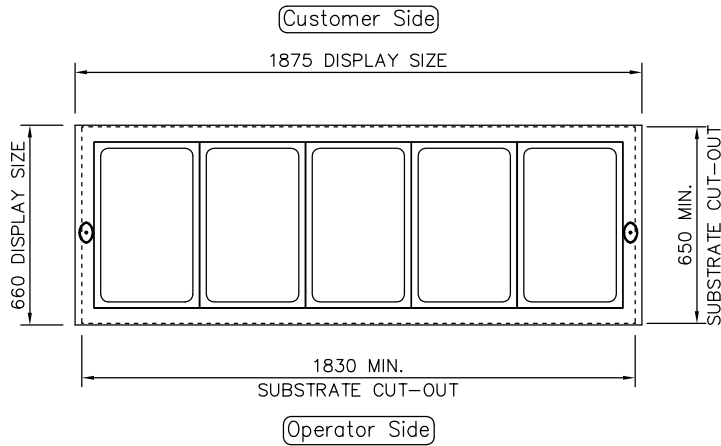


THE AMBIENT TEMPERATURE MUST NOT EXCEED 55°C IN THE VOID AREA INDICATED.

FRONT ELEVATION

B

C

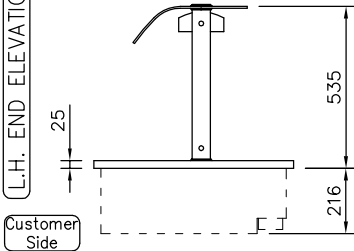


PLAN VIEW

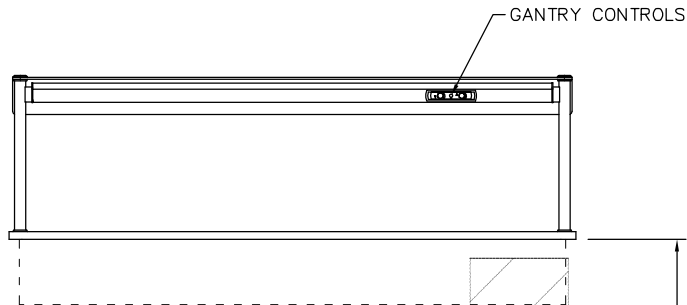
NOTE: IF DISPLAY IS TO BE FLUSH MOUNTED INTO WORKTOP, ADD 4 - 6mm TO DISPLAY SIZES FOR WORKTOP CUT-OUT

D

L.H. END ELEVATION



Customer Side



REAR ELEVATION

INDICATES ACCESSIBLE SERVICE VOID REQUIRED WITHIN COUNTERBODY

RECOMMENDED POWER BOARD POSITION

E

F

PRODUCT RANGE: idesign
DESC.: 5-1Gn SELF HELP HOT BAIN MARIE

OPTION:

ID CODE: IHBM5-GO

OPTION CODE:



RANDLES RD, KNOWSLEY BUSINESS PARK, MERSEYSIDE L34 9HZ.

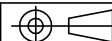
Tel: 0151 548 2211

Fax: 0151 549 2179

ELECTRICAL INFO: 20A, 230V, 4.0KW

WEIGHT: 62Kg

ISSUE: 1



SCALE: 1:25 @ A4