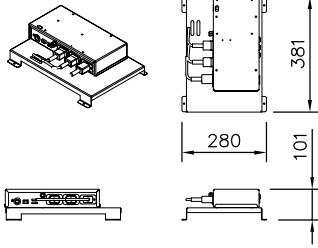
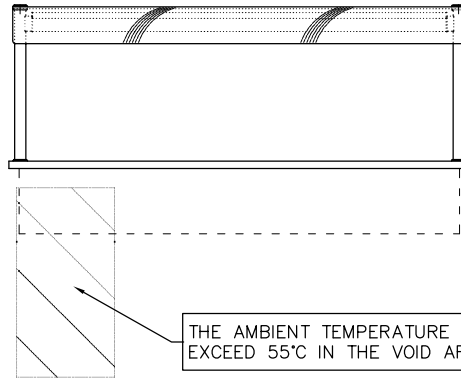


A



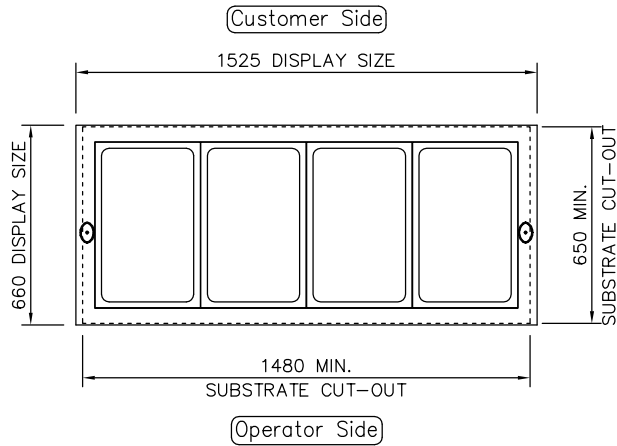
DISPLAY POWER BOARD DETAILS

FOR FURTHER DETAILS PLEASE REFER TO THE HEATED INSTALLATION DETAILS



FRONT ELEVATION

B

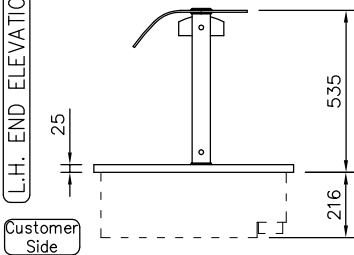


PLAN VIEW

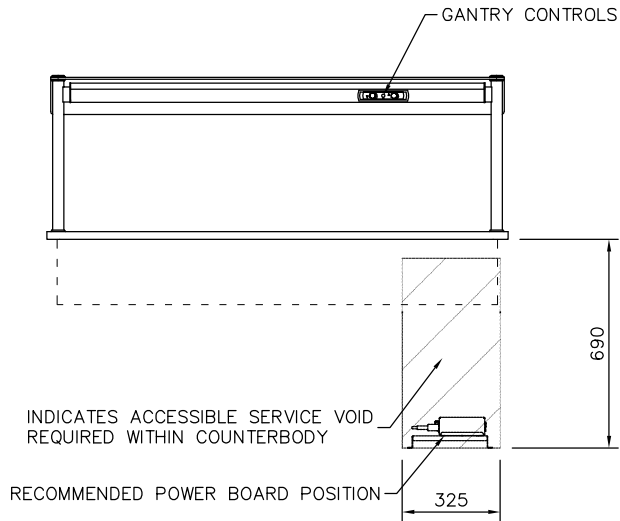
NOTE:
IF DISPLAY IS TO BE FLUSH MOUNTED INTO WORKTOP,
ADD 4 - 6mm TO DISPLAY SIZES FOR WORKTOP CUT-OUT

D

L.H. END ELEVATION



E



REAR ELEVATION

F

PRODUCT RANGE: idesign
DESC.: 4-1Gn SELF HELP HOT BAIN MARIE

OPTION:

ID CODE: IHBM4-GO

OPTION CODE:

counterline 

RANDES RD, KNOWSLEY BUSINESS PARK, MERSEYSIDE L34 9HZ.

Tel: 0151 548 2211

Fax: 0151 549 2179

ELECTRICAL INFO: 16A, 230V, 3.2KW

WEIGHT: 51Kg

ISSUE: 1



SCALE: 1: 25 @ A4