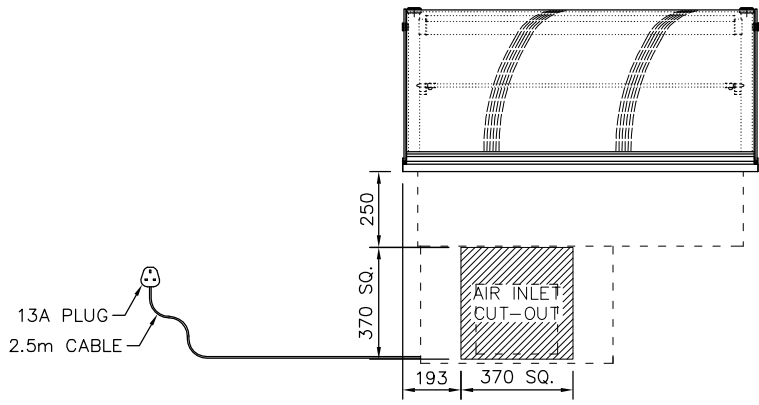
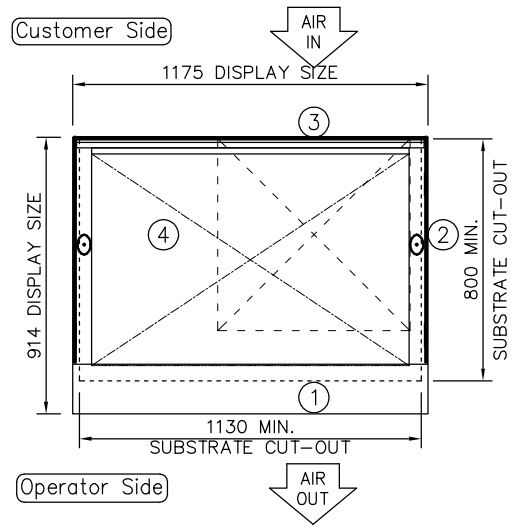


A
B
C
D
E
F

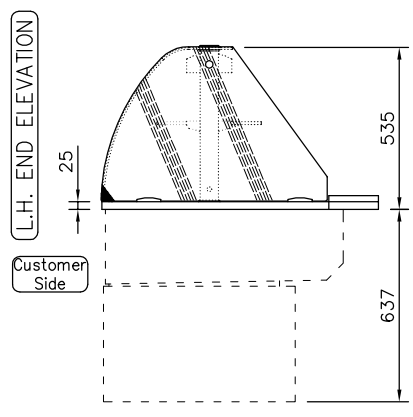


FRONT ELEVATION

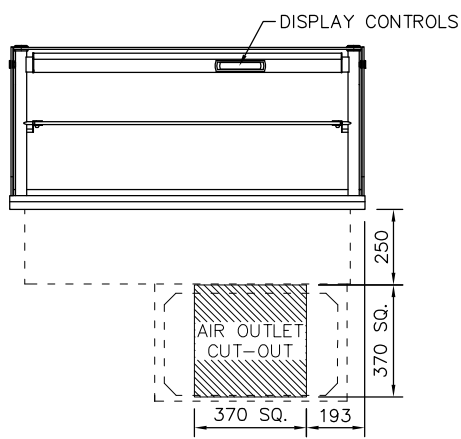


PLAN VIEW

NOTE:
IF DISPLAY IS TO BE FLUSH
MOUNTED INTO WORKTOP,
ADD 4 - 6mm TO DISPLAY
SIZES FOR WORKTOP CUT-OUT


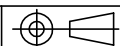


REAR ELEVATION



CUSTOMER & OPERATOR SIDE FASCIA
PANELS MUST BE REMOVABLE FOR
MAINTENANCE ACCESS
SUPPLIED WITH 400mm SQ. STAINLESS
STEEL AIR INLET/OUTLET GRILLES

| | |
|----------------|--|
| PRODUCT RANGE: | idesign |
| DESC.: | 3-1Gn ASSISTED SERVICE COLD WIDE DELI |
| OPTION: | INTEGRAL REFRIGERATION (3-1) |
| ID CODE: | ICWDL3-GO |
| OPTION CODE: | |

| | |
|--|------------------|
|  | |
| RANDLES RD, KNOWSLEY BUSINESS PARK, MERSEYSIDE L34 9HZ. Tel: 0151 548 2211 Fax: 0151 549 2179 | |
| ELECTRICAL INFO: | 13A, 230V, 2.0KW |
| WEIGHT: | 126Kg |
| ISSUE: | 1 |
|  SCALE: 1:25 @ A4 | |