

1 2 3

A

(FRONT ELEVATION)

A

B

B

C

(PLAN VIEW)

C

D

(REAR ELEVATION)

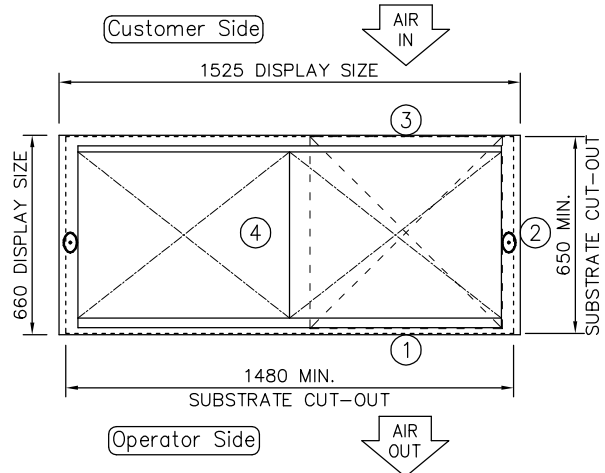
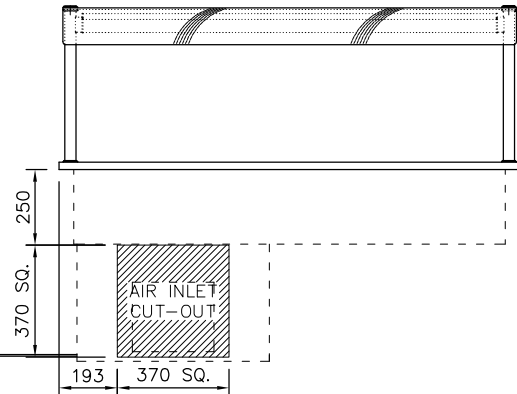
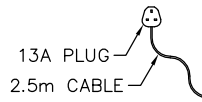
D

E

E

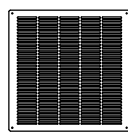
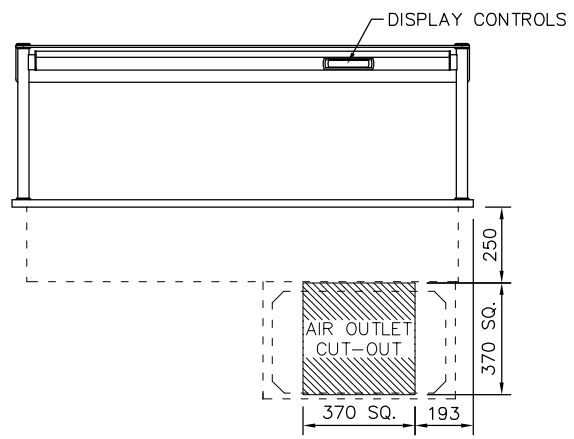
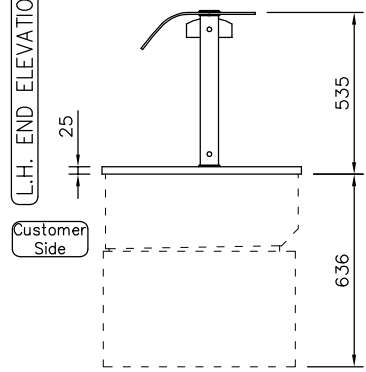
F

F



NOTE:
IF DISPLAY IS TO BE FLUSH
MOUNTED INTO WORKTOP,
ADD 4 - 6mm TO DISPLAY
SIZES FOR WORKTOP CUT-OUT

(L.H. END ELEVATION)



CUSTOMER & OPERATOR SIDE FASCIA
PANELS MUST BE REMOVABLE FOR
MAINTENANCE ACCESS
SUPPLIED WITH 400mm SQ. STAINLESS
STEEL AIR INLET/OUTLET GRILLES

PRODUCT RANGE: idesign
DESC.: 4-1Gn SELF HELP COLD WELL
OPTION: INTEGRAL REFRIGERATION (3-1)

ID CODE: ICW4-GO
OPTION CODE:

counterline

RANDES RD, KNOWSLEY BUSINESS PARK, MERSEYSIDE L34 9HZ.
Tel: 0151 548 2211 Fax: 0151 549 2179

ELECTRICAL INFO: 13A, 230V, 2.2KW WEIGHT: 128Kg

ISSUE: 1 SCALE: 1:25 @ A4

1

2

© COPYRIGHT COUNTERLINE LTD FEB 2007