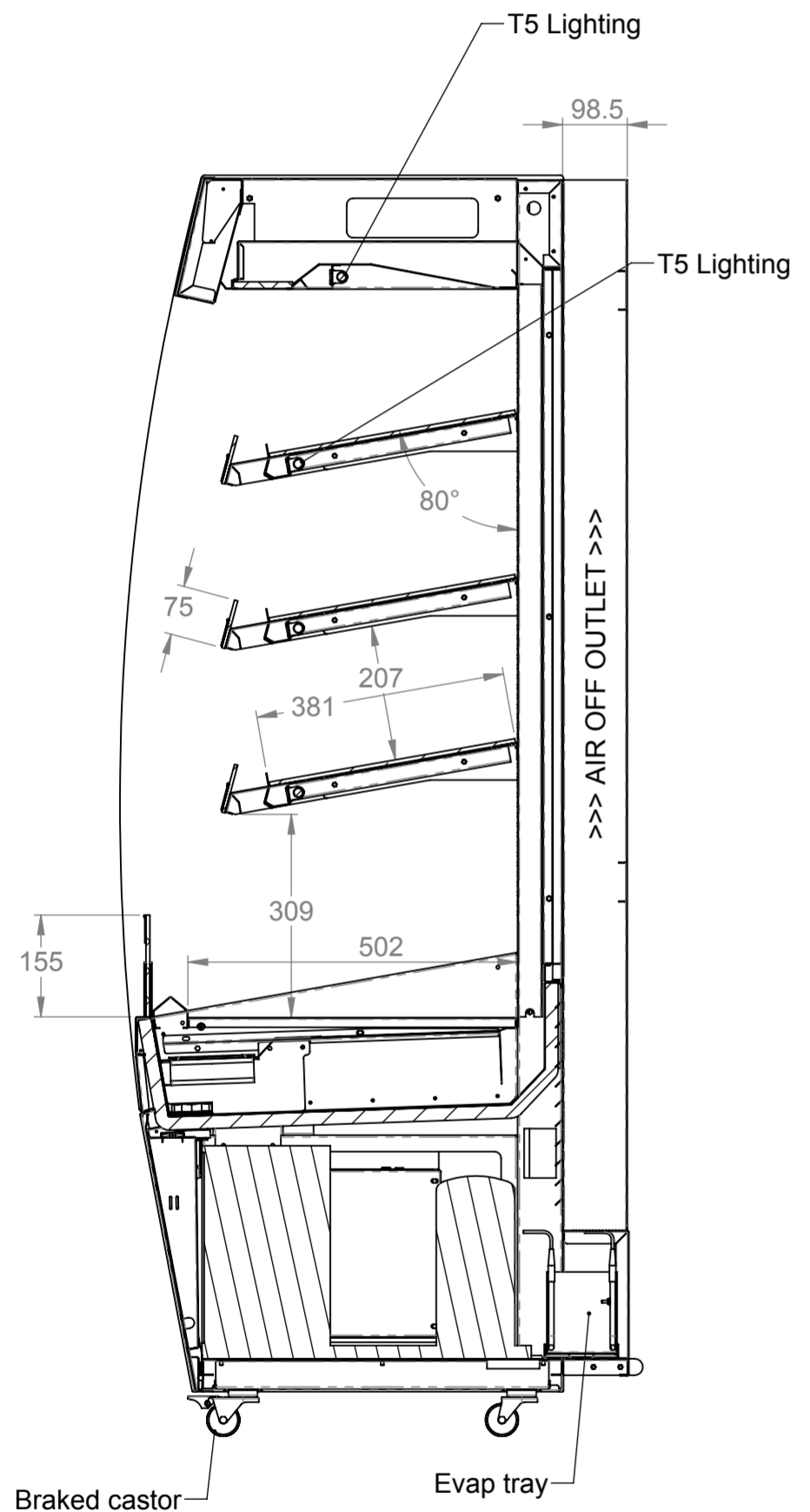
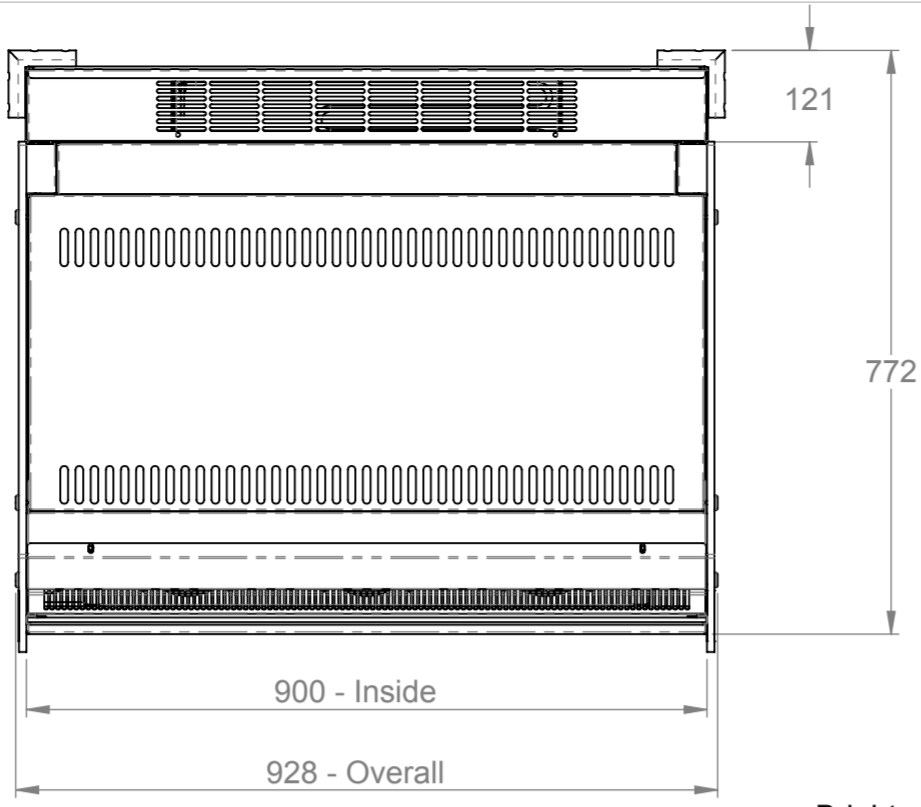
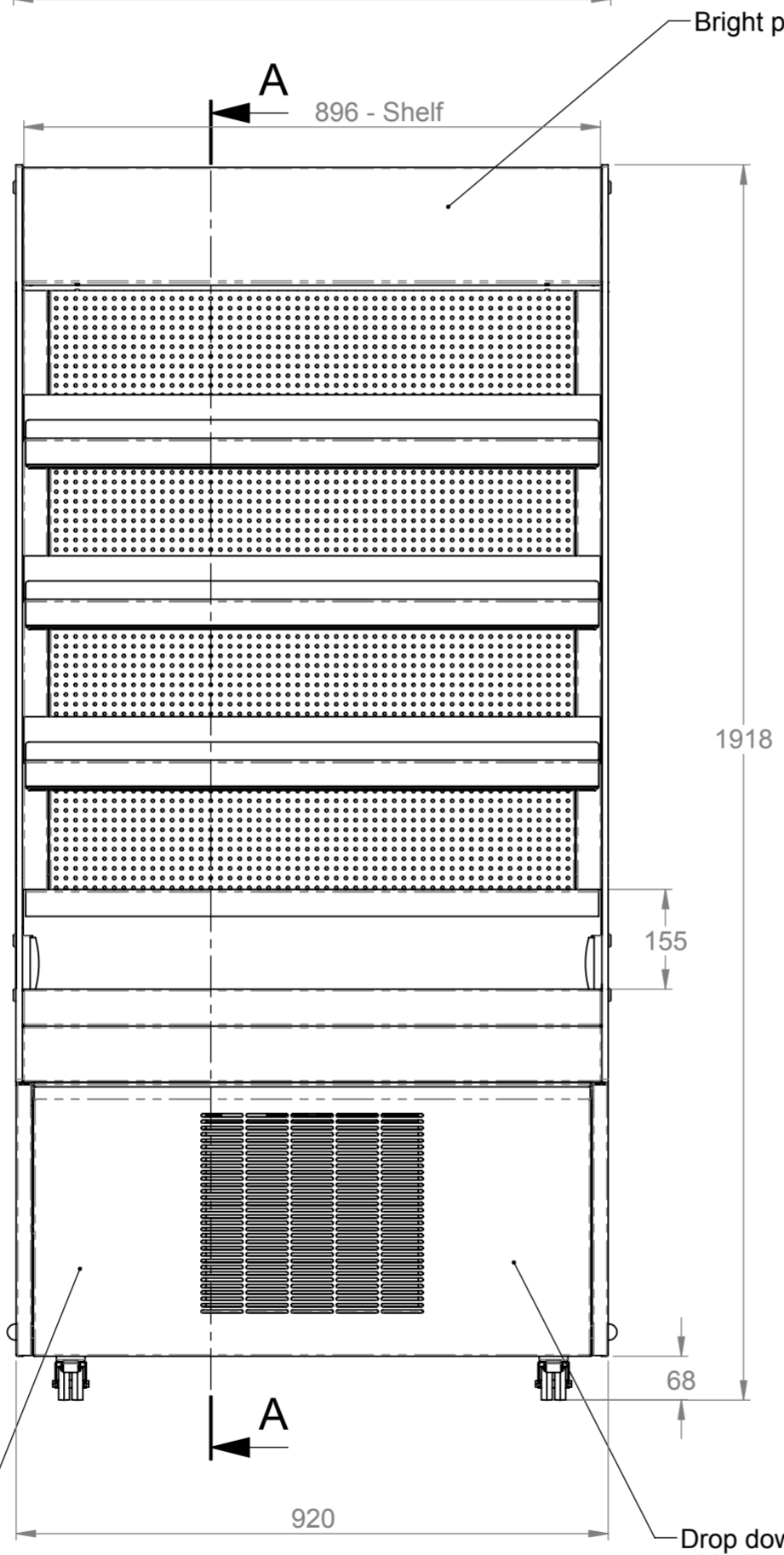


3rd Angle Projection. 
 This drawing and the information properties contained there on is the property of Counterline Ltd and must not be copied or issued to a third party without the prior consent of Counterline Ltd.

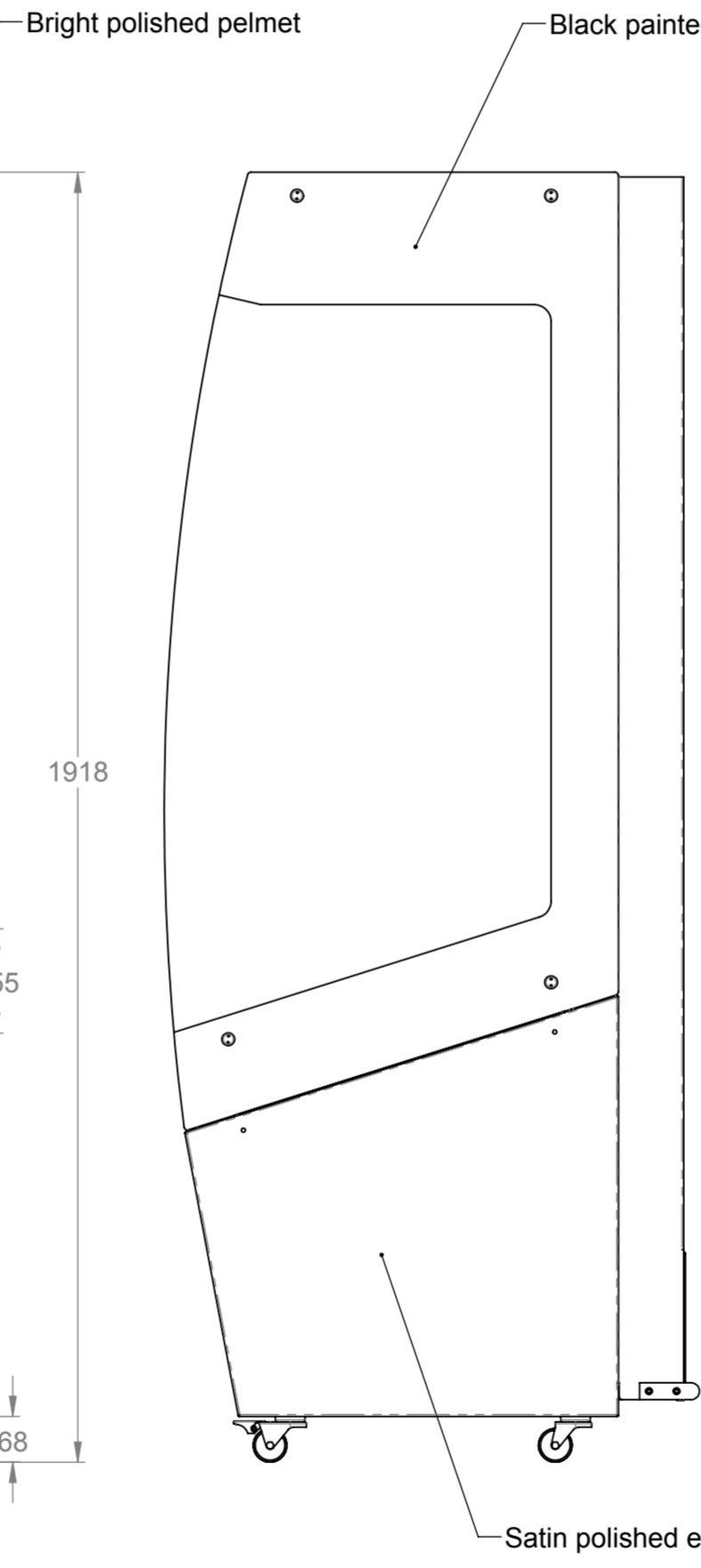
Plan



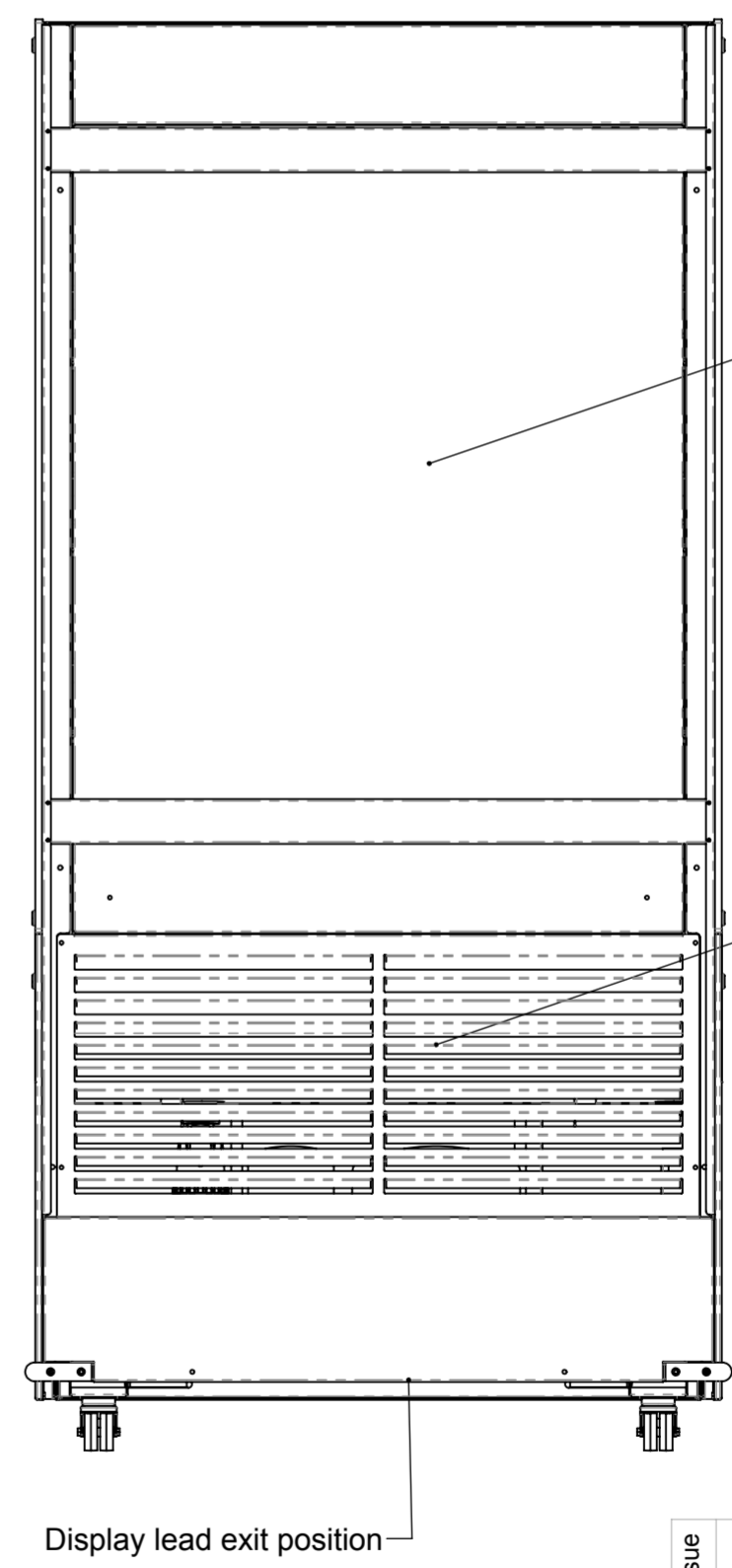
SECTION A-A



Front elevation




End elevation



Rear elevation

Electrical info:- 13 Amp 230V 2.5Kw
 Display supplied with 13 Amp plugtop on 1500 Long lead
 Weight - 179Kg Approx

Assembly No - EC900

Issue	Date	Description
 Randles Rd, Knowsley Business Park, Merseyside L34 9HZ. Tel: 0151 548 2211 Fax: 0151 549 2179		
Title: Experience - Chilled Multi Level 900 - FB		
Drg No :	Issue:	Date: 26/06/2015
14-252--A		Scale: 1:10 @ A2
		Chk'd:
Drn by: G Burgess	All dims in MM	Date: