

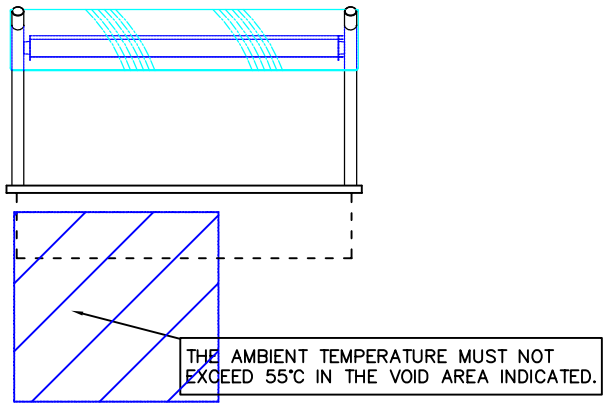
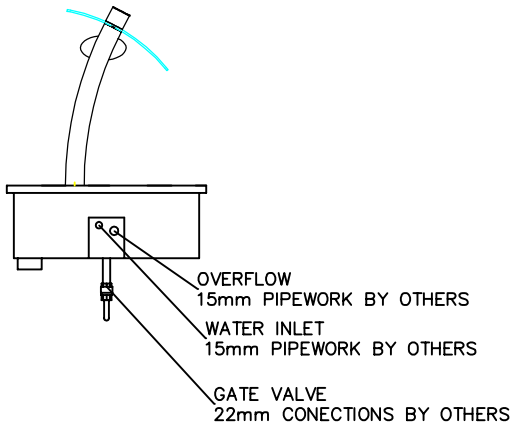
1

2

3

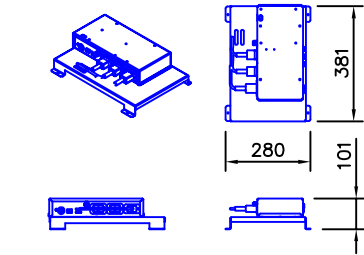
A

A



B

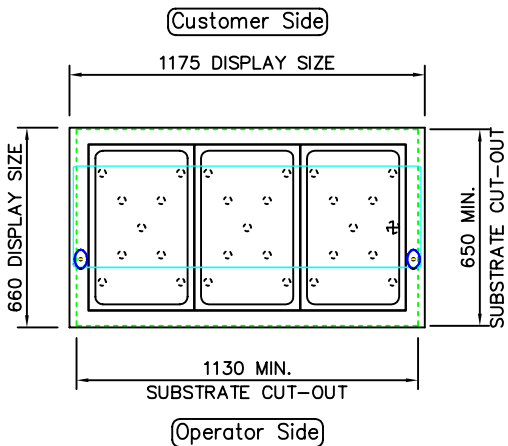
B



DISPLAY POWER BOARD DETAILS

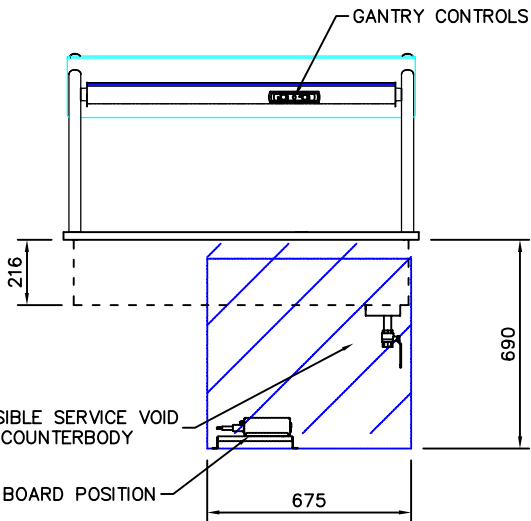
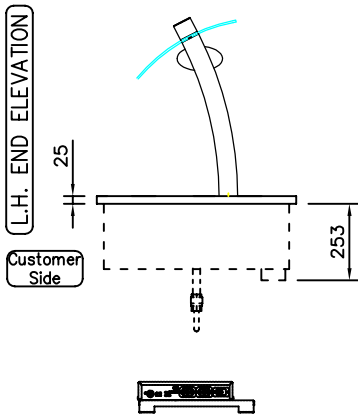
FOR FURTHER DETAILS PLEASE REFER TO THE HEATED INSTALLATION DETAILS

NOTE:
IF DISPLAY IS TO BE FLUSH MOUNTED INTO WORKTOP, ADD 4 - 6mm TO DISPLAY SIZES FOR WORKTOP CUT-OUT



D

D



E

E

PRODUCT RANGE: DA VINCI
DESC.: 3-1Gn SELF HELP HEATED WET WELL BAIN MARIE

OPTION:

ID CODE: DHWWBM3-GO

OPTION CODE:

counterline

RANDLES RD, KNOWSLEY BUSINESS PARK, MERSEYSIDE L34 9HZ.

Tel: 0151 548 2211

Fax: 0151 549 2179

ELECTRICAL INFO: 20A, 230V, 3.4KW

WEIGHT: 44Kg

ISSUE: 1



SCALE: 1:25 @ A4

1

2