

1

2

3

A

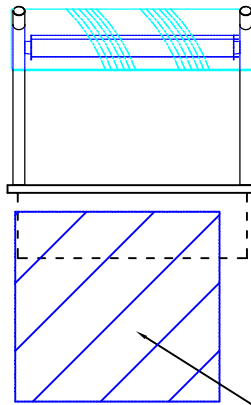
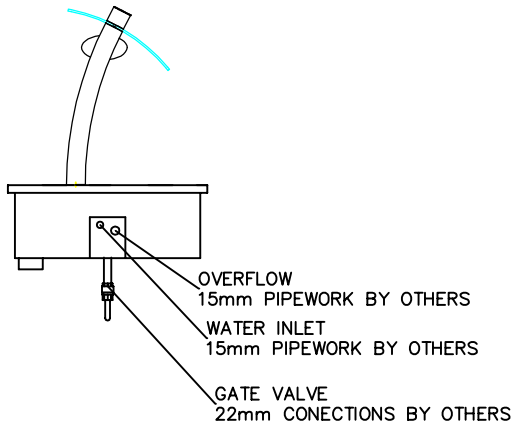
B

C

D

E

F

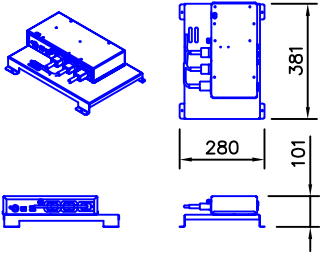


FRONT ELEVATION

A

B

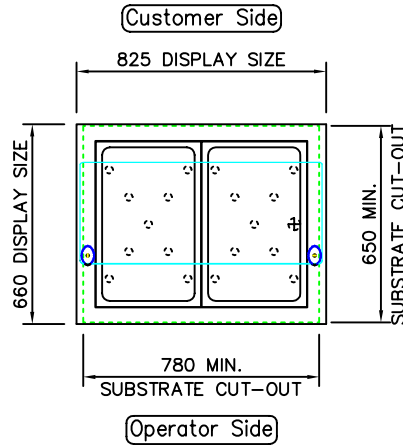
THE AMBIENT TEMPERATURE MUST NOT EXCEED 55°C IN THE VOID AREA INDICATED.



DISPLAY POWER BOARD DETAILS

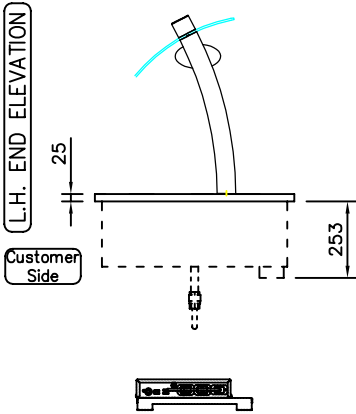
FOR FURTHER DETAILS PLEASE REFER TO THE HEATED INSTALLATION DETAILS

NOTE: IF DISPLAY IS TO BE FLUSH MOUNTED INTO WORKTOP, ADD 4 - 6mm TO DISPLAY SIZES FOR WORKTOP CUT-OUT



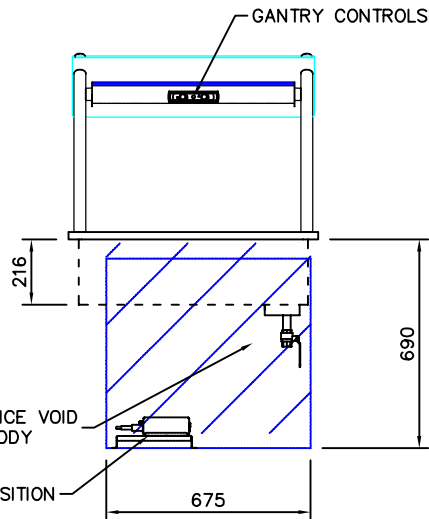
PLAN VIEW

C



L.H. END ELEVATION

Customer Side



REAR ELEVATION

D

E

PRODUCT RANGE: DA VINCI
DESC.: 2-1Gn SELF HELP HEATED WET WELL BAIN MARIE

OPTION:

ID CODE: DHWWBM2-GO

OPTION CODE:

counterline



RANDLES RD, KNOWSLEY BUSINESS PARK, MERSEYSIDE L34 9HZ.

Tel: 0151 548 2211

Fax: 0151 549 2179

ELECTRICAL INFO: 13A, 230V, 2.1KW

WEIGHT: 33Kg

ISSUE: 1



SCALE: 1:25 @ A4

1

2

© COPYRIGHT COUNTERLINE LTD FEB 2007