
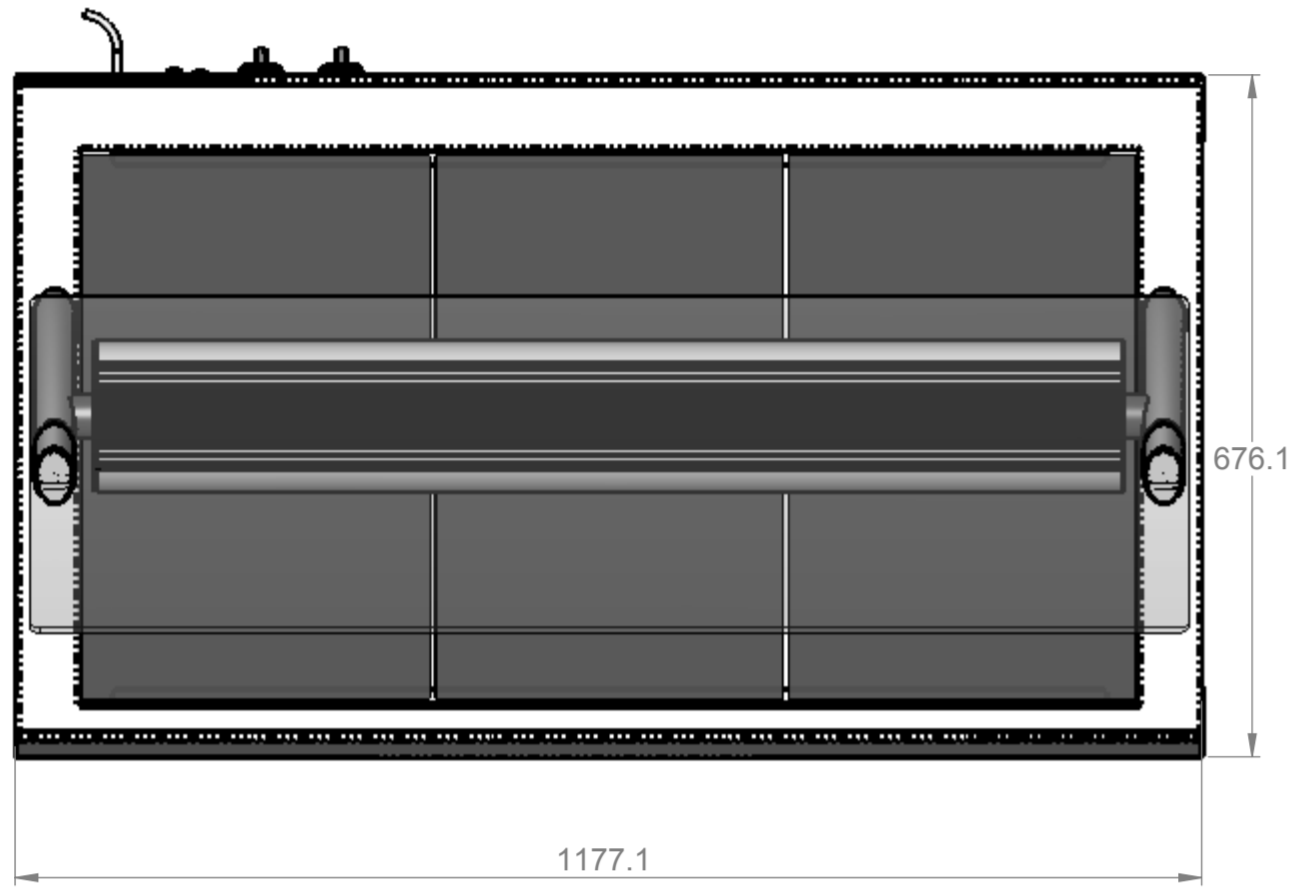
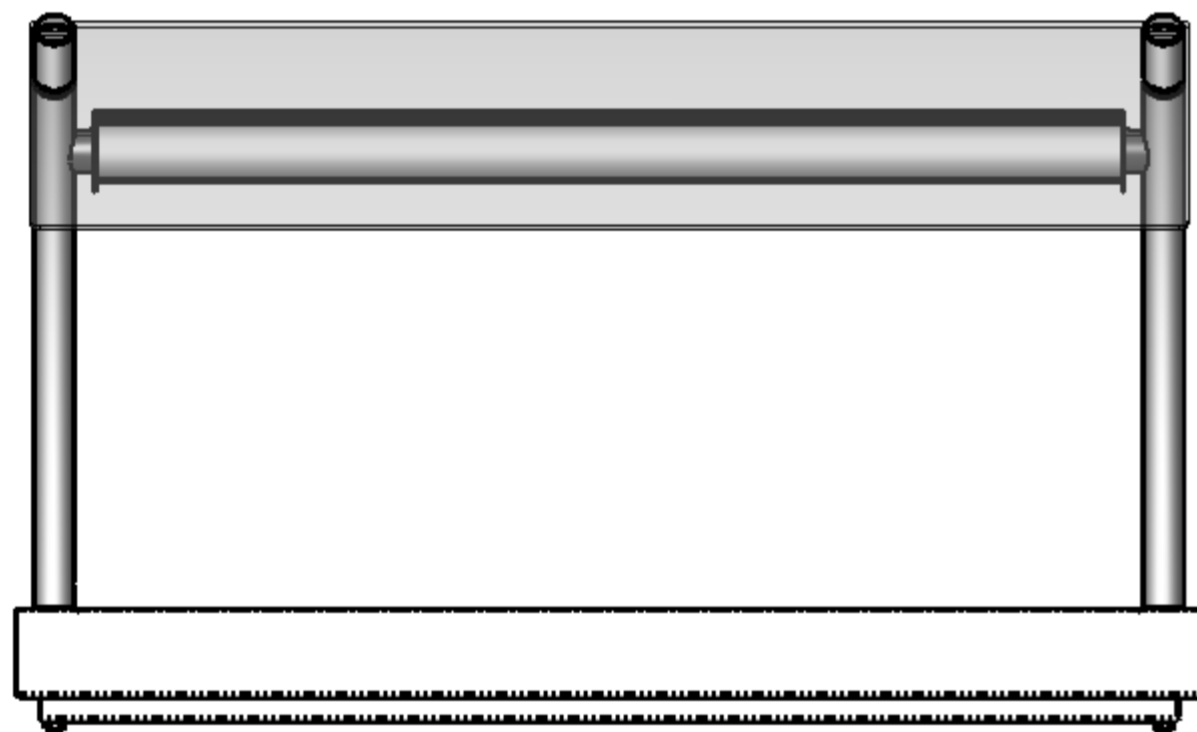
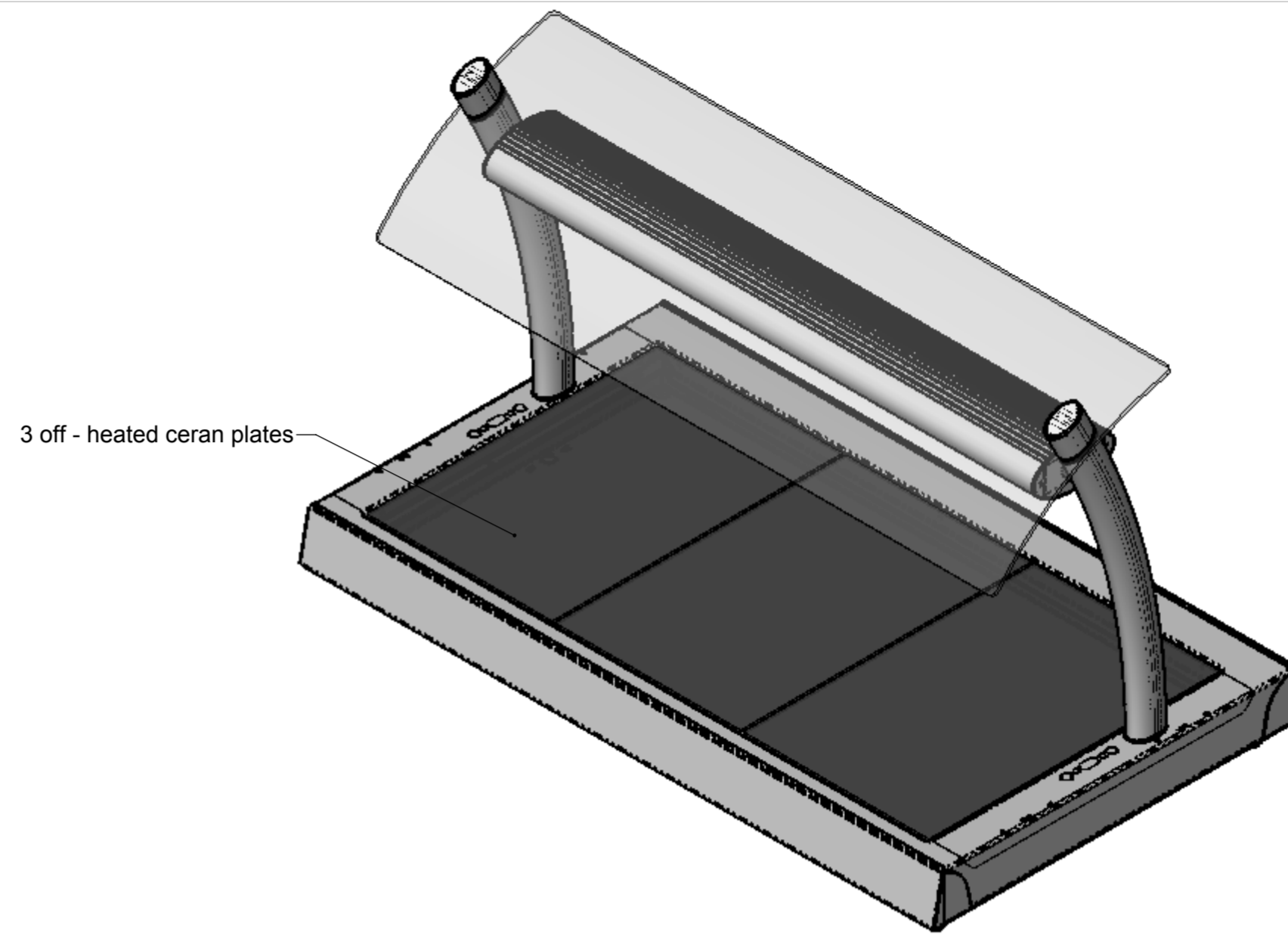


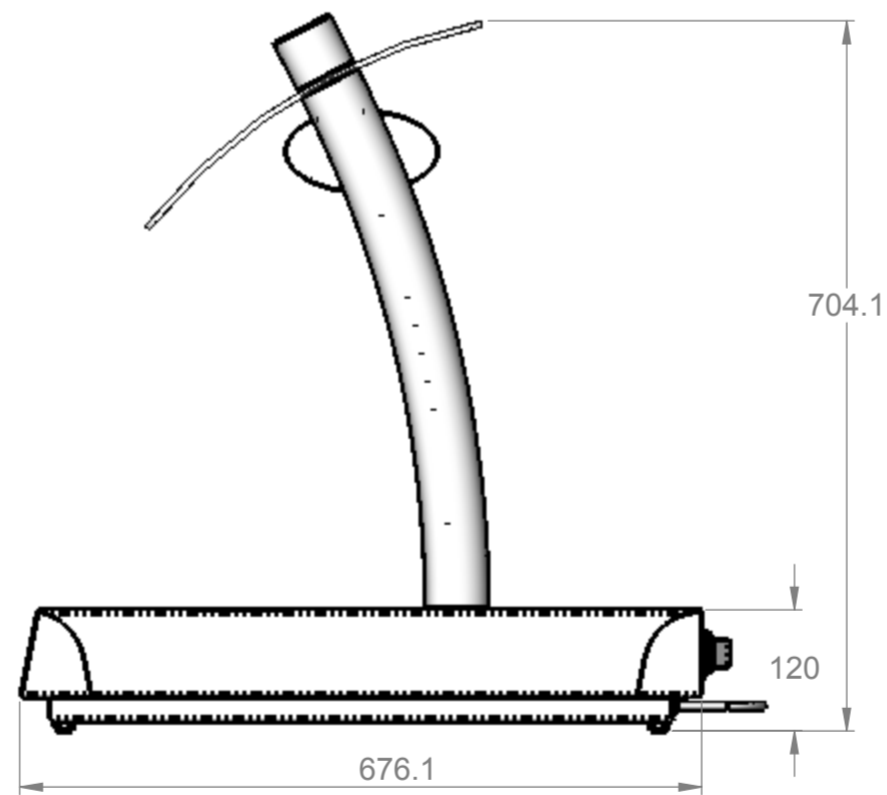
3rd Angle Projection. 
 This drawing and the information properties contained there on is the property of Counterline Ltd and must not be copied or issued to a third party without the prior consent of Counterline Ltd.



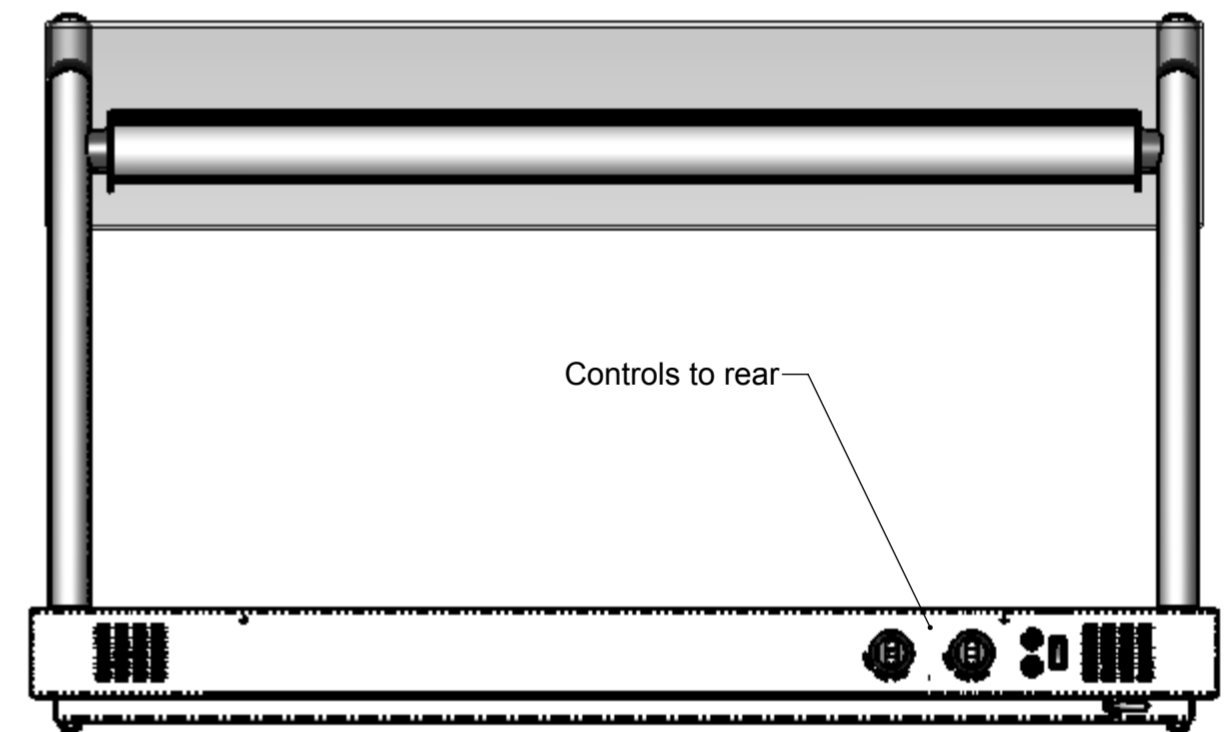
Plan



Front View




Side Elevation



Rear View

Assembly No - DHCTCGH3

Issue	Date	Description
 Randles Rd, Knowsley Business Park, Merseyside L34 9HZ. Tel: 0151 548 2211 Fax: 0151 549 2179		
Title: Da Vinci - Countertop Ceramic Hotplate 3-1		
Drg No :	Issue:	Date: 05/01/2015
15-003--A		Scale: 1:7.5 @ A2
		Chk'd:
Drn by: RGainey	All dims in MM	Date: