
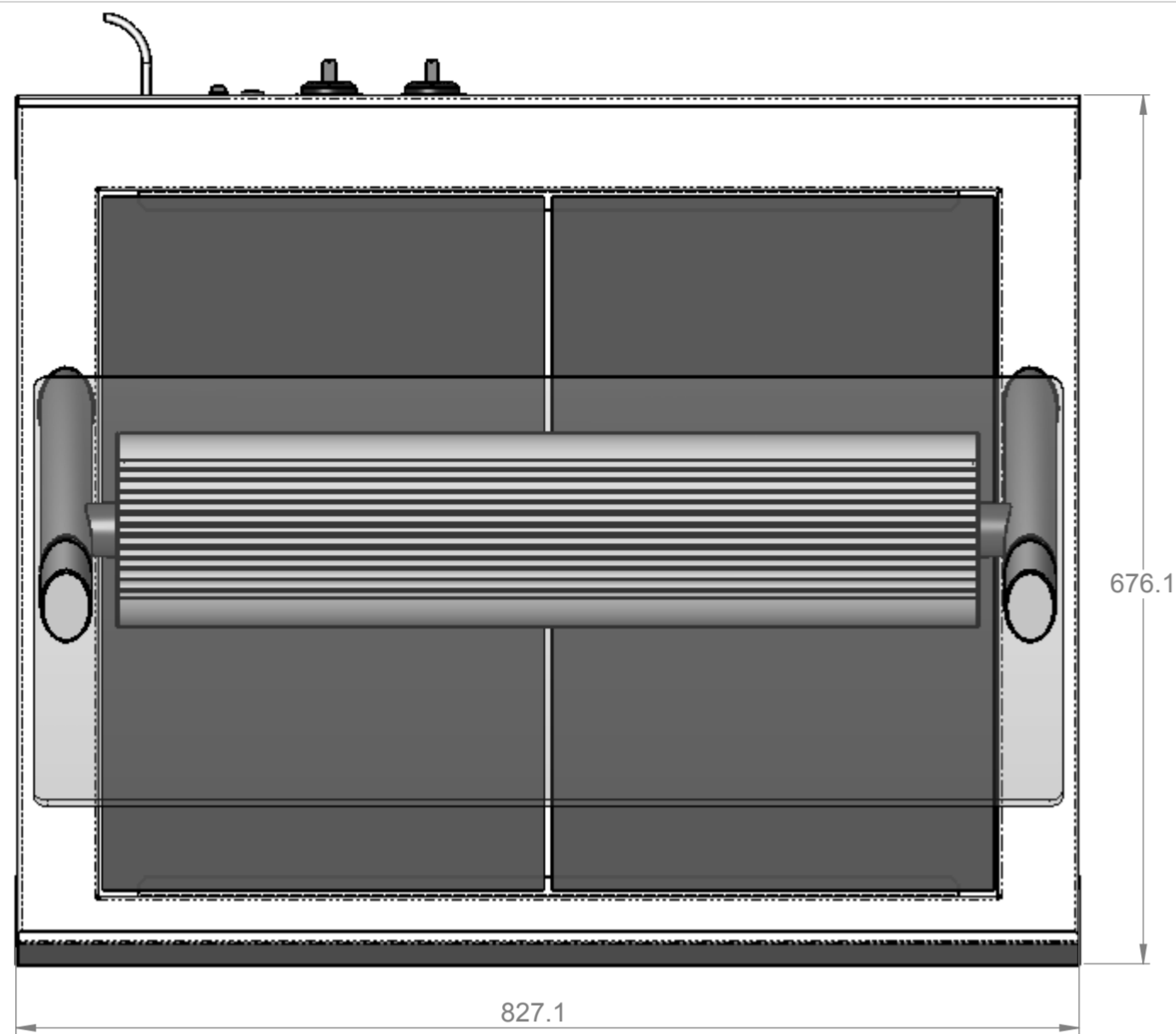


3rd Angle Projection. 
 This drawing and the information properties contained there on is the property of Counterline Ltd and must not be copied or issued to a third party without the prior consent of Counterline Ltd.

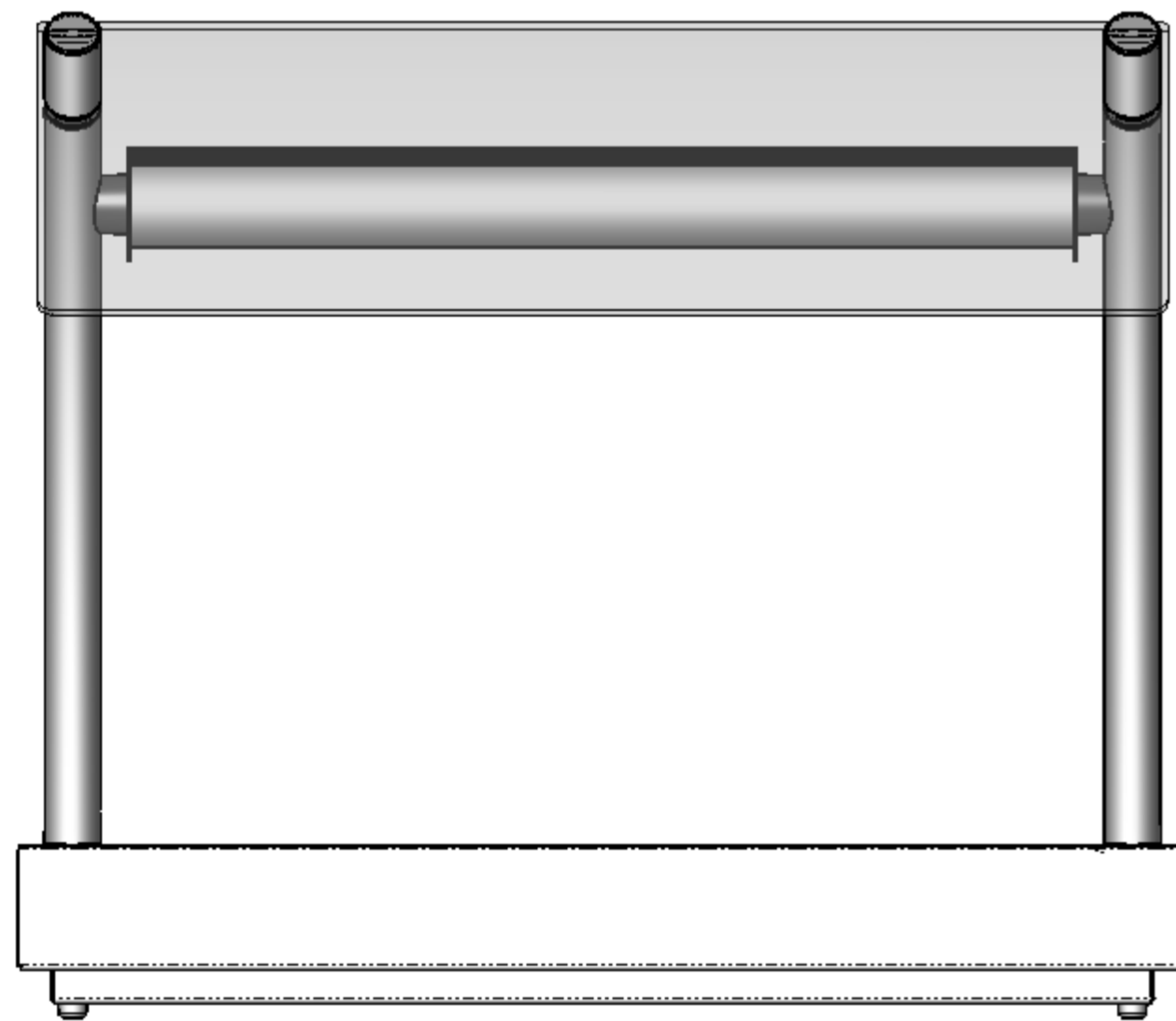
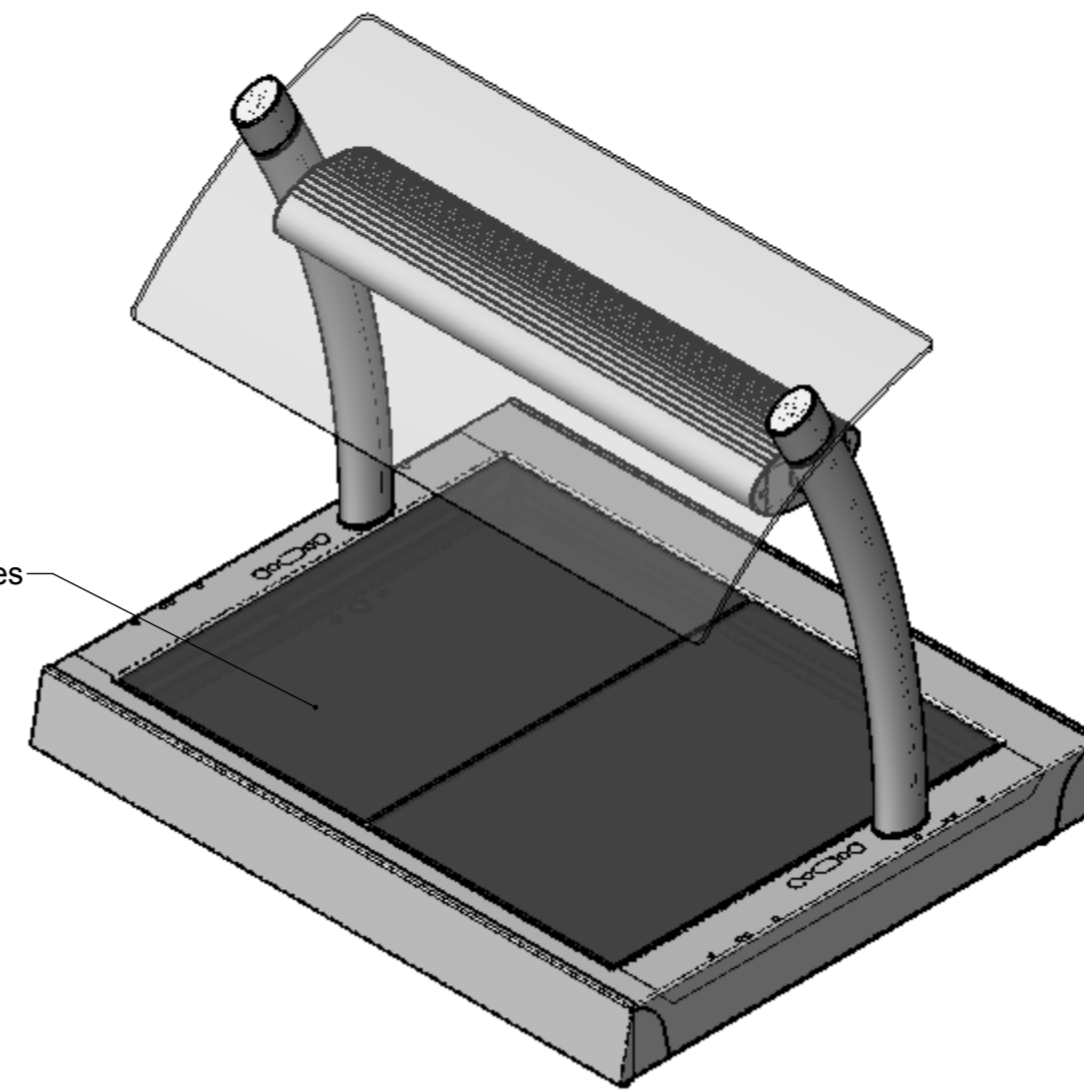


827.1

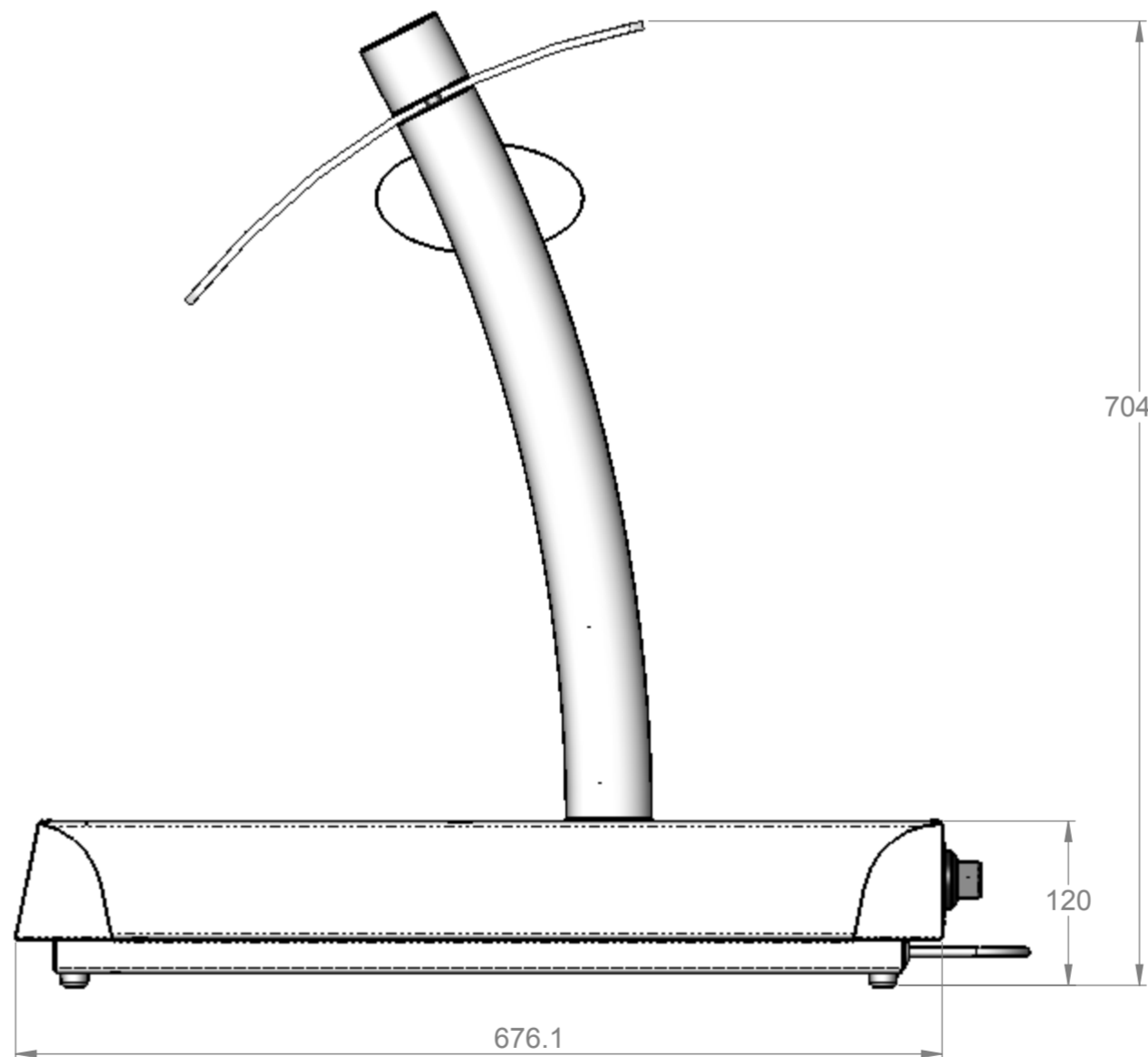
676.1

Plan

2 off - heated ceran plates



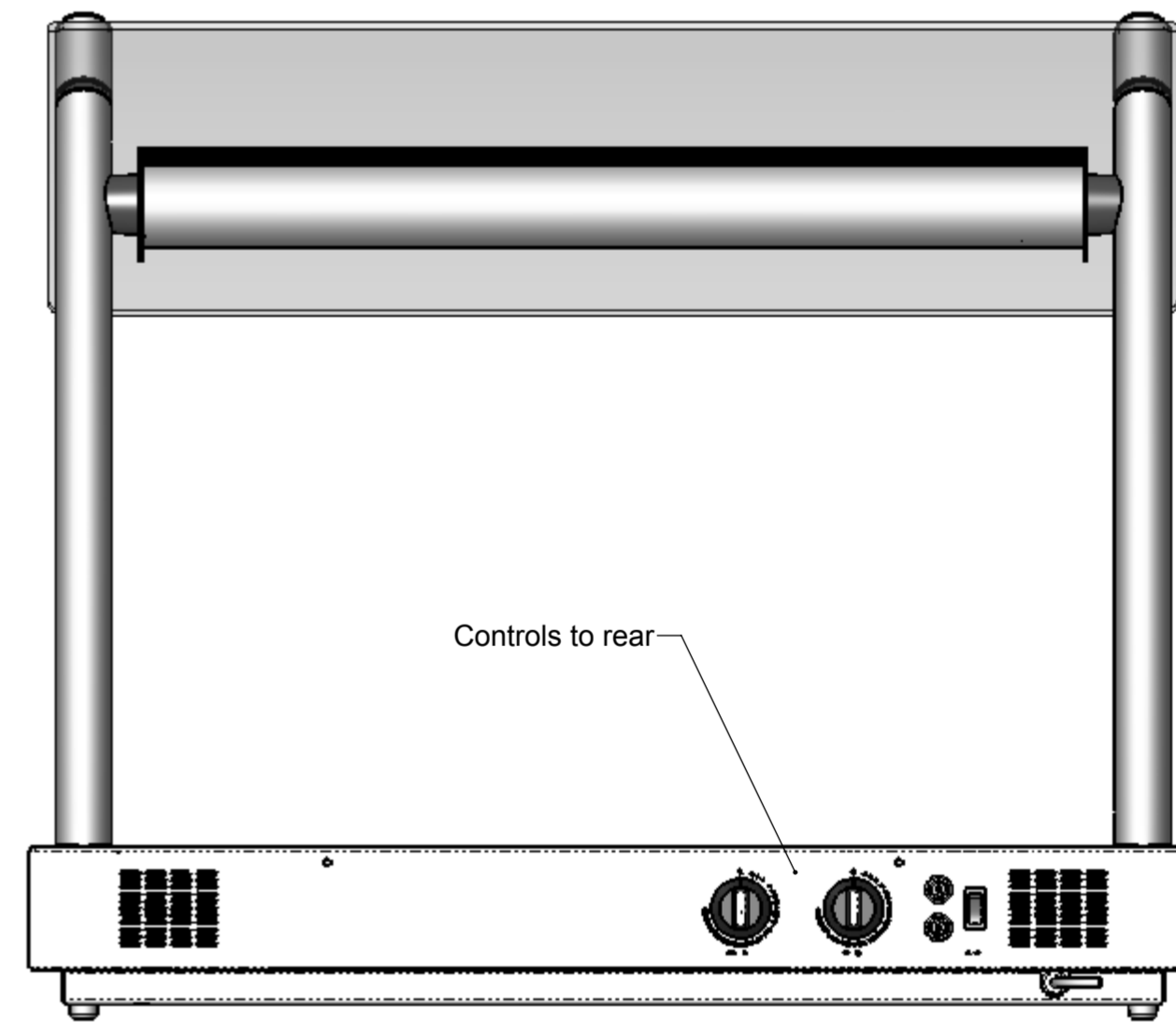
Front View



704.1

676.1


Side Elevation



Controls to rear

Rear View

Assembly No - DHCTCGH2

Issue	Date	Description
 Randles Rd, Knowsley Business Park, Merseyside L34 9HZ. Tel: 0151 548 2211 Fax: 0151 549 2179		
Title: Da Vinci - Countertop Ceramic Hotplate 2-1		
Drg No :	Issue:	Date: 05/01/2015
15-002--A		Scale: 1:5 @ A2
Drn by: RGainey	All dims in MM	Chk'd: Date: