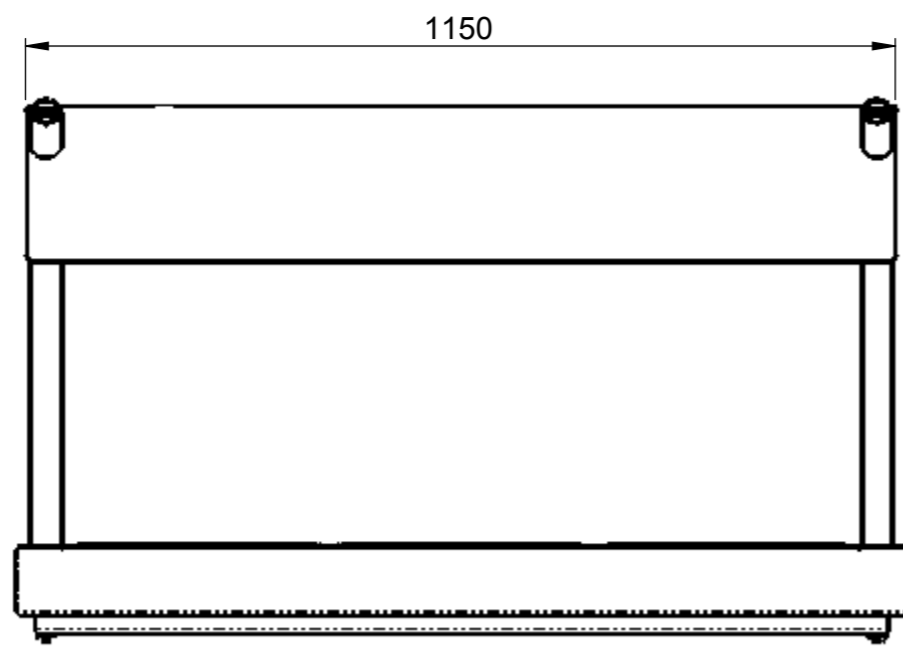
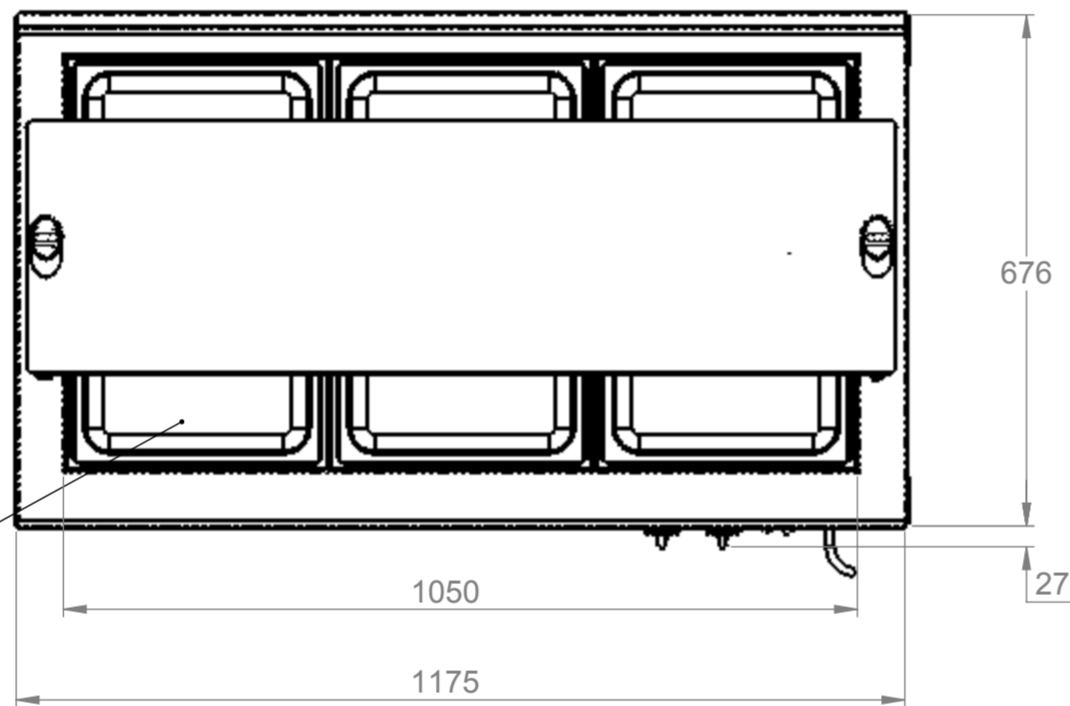




This drawing and the information properties contained there on is the property of Counterline Ltd and must not be copied or issued to a third party without the prior consent of Counterline Ltd.

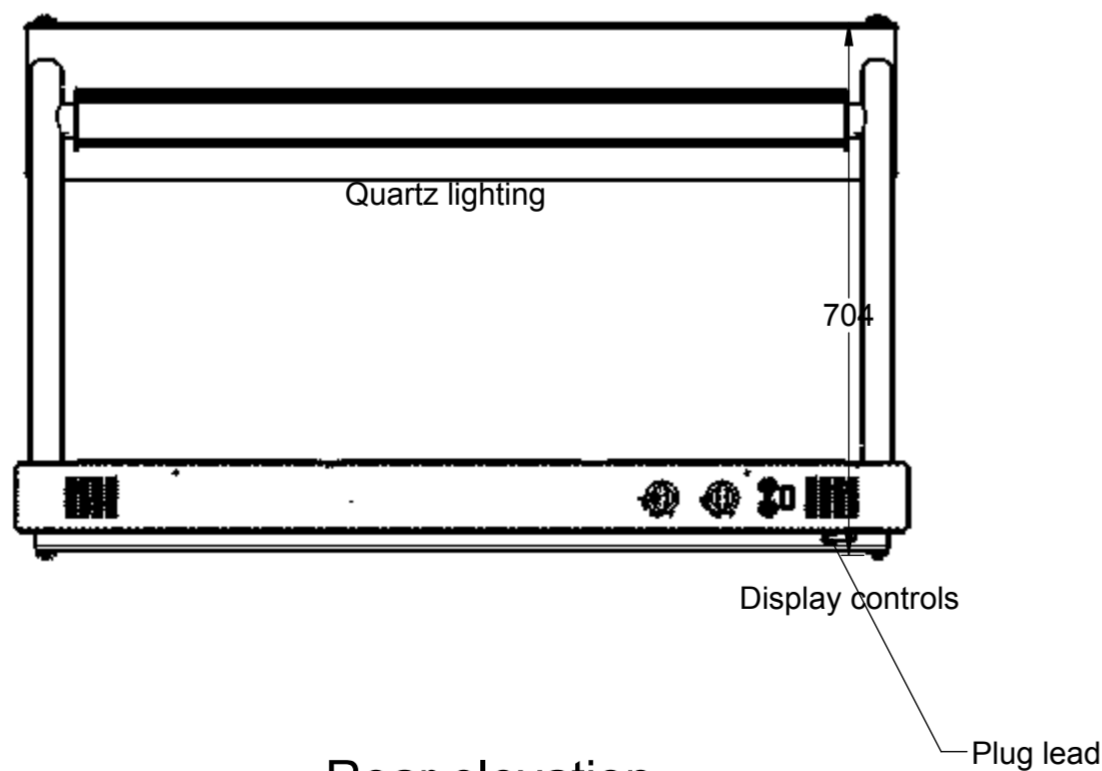


Front elevation

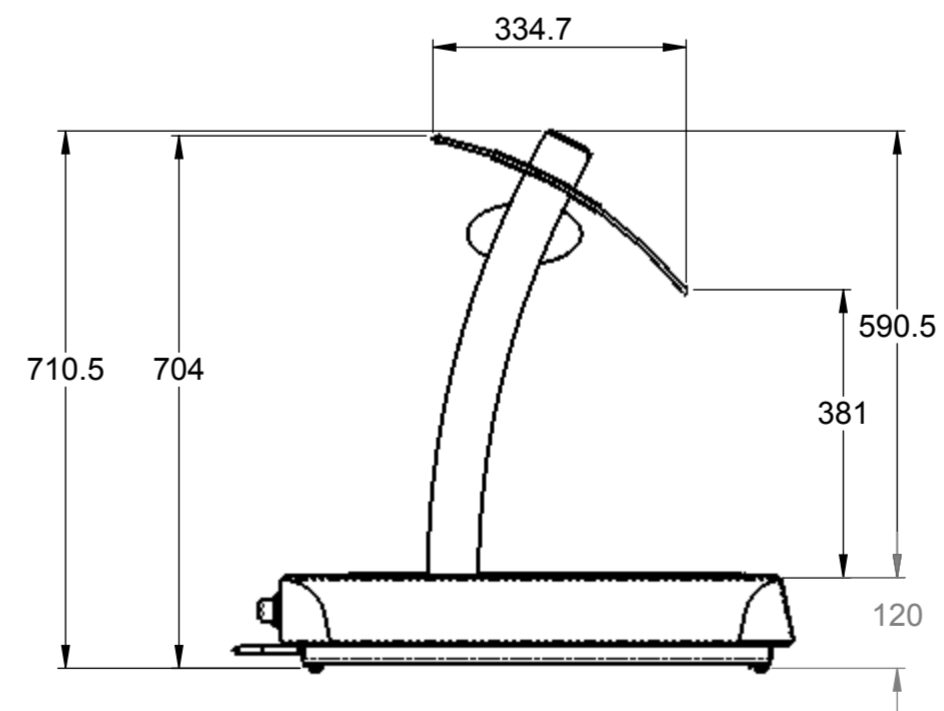


Dry heat bain marie accepts 1/1 GN containers 65mm deep (Containers supplied by others)

Plan



Rear elevation



End elevation

Assembly No - DHCTBM3

Issue	Date	Description
<p>Randles Rd, Knowsley Business Park, Merseyside L34 9HZ. Tel: 0151 548 2211 Fax: 0151 549 2179</p>		
Title: Da Vinci - Dry Heat Bain Marie 3-1		
Drg No :	Issue:	Date: 18/09/2015
15-770--A		Scale: 1:10 @ A2
Drn by: RGainey	All dims in MM	Chk'd: Date: