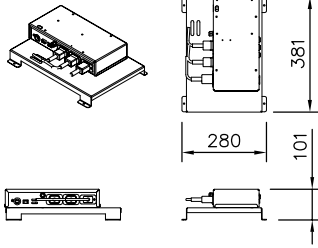
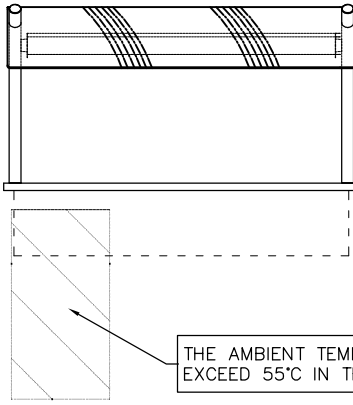


A



DISPLAY POWER BOARD DETAILS

FOR FURTHER DETAILS PLEASE REFER TO THE HEATED INSTALLATION DETAILS

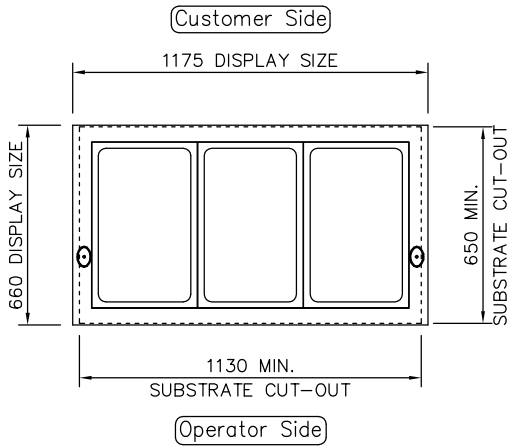


FRONT ELEVATION

THE AMBIENT TEMPERATURE MUST NOT EXCEED 55°C IN THE VOID AREA INDICATED.

B

C



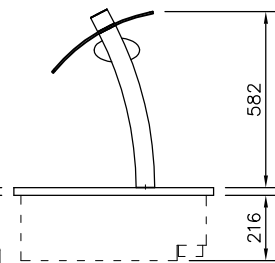
PLAN VIEW

NOTE:  
IF DISPLAY IS TO BE FLUSH MOUNTED INTO WORKTOP, ADD 4 - 6mm TO DISPLAY SIZES FOR WORKTOP CUT-OUT

D

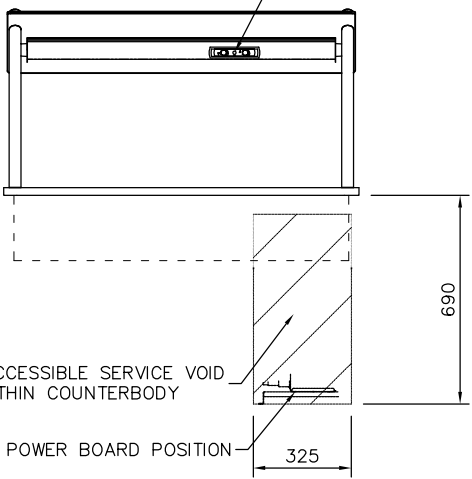
L.H. END ELEVATION

Customer Side



E

GANTRY CONTROLS



REAR ELEVATION

INDICATES ACCESSIBLE SERVICE VOID REQUIRED WITHIN COUNTERBODY

RECOMMENDED POWER BOARD POSITION

F

PRODUCT RANGE: DA VINCI  
DESC.: 3-1Gn SELF HELP HOT BAIN MARIE

OPTION:

ID CODE: DHBM3-GO

OPTION CODE:



RANDLES RD, KNOWSLEY BUSINESS PARK, MERSEYSIDE L34 9HZ.

Tel: 0151 548 2211

Fax: 0151 549 2179

ELECTRICAL INFO: 13A, 230V, 2.4KW

WEIGHT: 40Kg

ISSUE: 1



SCALE: 1:25 @ A4