

1

2

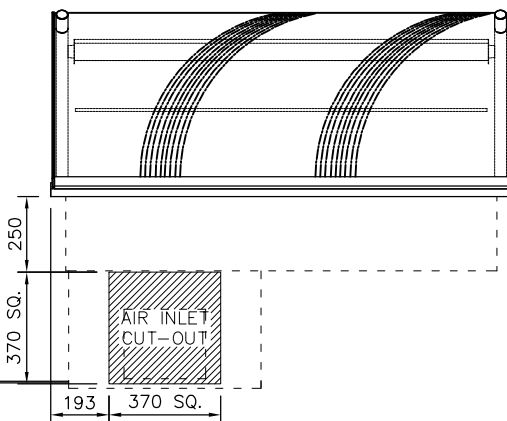
3

A

A

CONTROL PANEL
(LIGHT DUCT MOUNTED
CONTROL PANEL
OPTIONS AVAILABLE)

13A PLUG
2.5m CABLE
2m (STD) CONTROL
PANEL CABLE LOOM
(EXTENDED CABLE LOOM
OPTIONS AVAILABLE)



FRONT ELEVATION

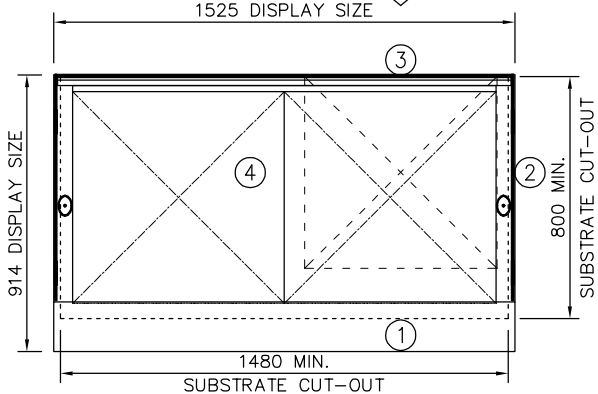
B

B

Customer Side



1525 DISPLAY SIZE



PLAN VIEW

C

C

NOTE:
IF DISPLAY IS TO BE FLUSH
MOUNTED INTO WORKTOP,
ADD 4 - 6mm TO DISPLAY
SIZES FOR WORKTOP CUT-OUT

Operator Side

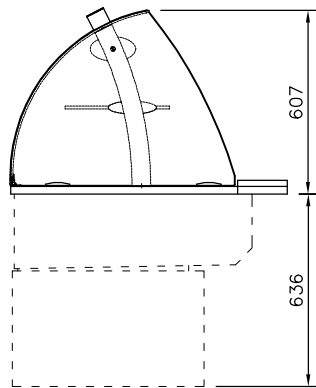


D

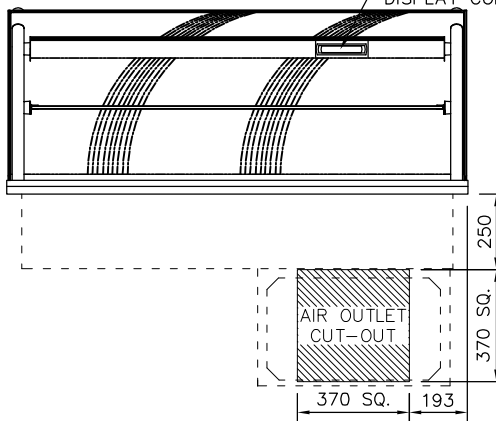
D

L.H. END ELEVATION

25
Customer Side



DISPLAY CONTROLS



REAR ELEVATION

E

E



CUSTOMER & OPERATOR SIDE FASCIA
PANELS MUST BE REMOVABLE FOR
MAINTENANCE ACCESS

SUPPLIED WITH 400mm SQ. STAINLESS
STEEL AIR INLET/OUTLET GRILLES

F

F

PRODUCT RANGE: idesign
DESC.: 4-1Gn ASSISTED SERVICE COLD
WIDE DELI
OPTION: INTEGRAL REFRIGERATION (3-1)

ID CODE: DCWDL4-GO

OPTION
CODE:

counterline

RANDLES RD, KNOWSLEY BUSINESS PARK, MERSEYSIDE L34 9HZ.

Tel: 0151 548 2211

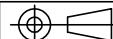
Fax: 0151 549 2179

ELECTRICAL INFO: 13A, 230V, 2.2KW

WEIGHT: 158Kg

ISSUE:

1



SCALE: 1:25 @ A4

1

2

© COPYRIGHT COUNTERLINE LTD FEB 2007