

1

2

3

A

A

B

B

C

C

D

D

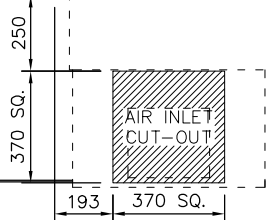
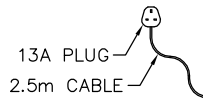
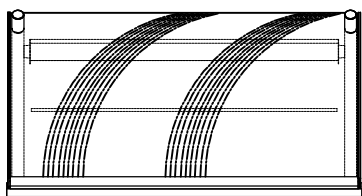
E

E

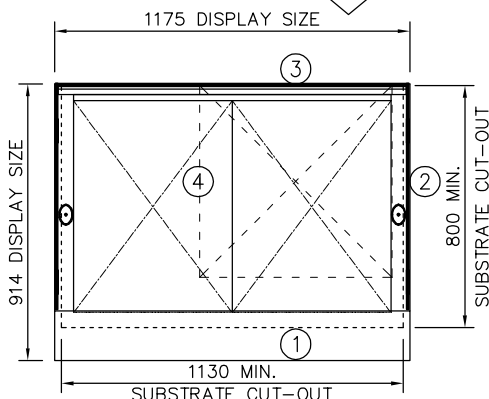
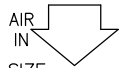
F

F

FRONT ELEVATION



Customer Side



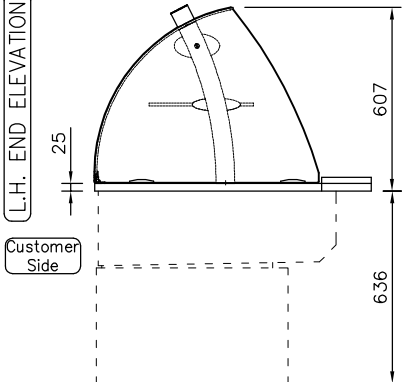
Operator Side



PLAN VIEW

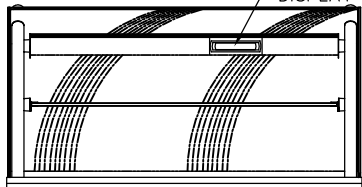
NOTE:
IF DISPLAY IS TO BE FLUSH
MOUNTED INTO WORKTOP,
ADD 4 - 6mm TO DISPLAY
SIZES FOR WORKTOP CUT-OUT

L.H. END ELEVATION

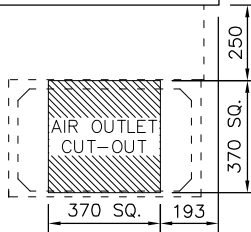


Customer Side

DISPLAY CONTROLS



REAR ELEVATION



CUSTOMER & OPERATOR SIDE FASCIA
PANELS MUST BE REMOVABLE FOR
MAINTENANCE ACCESS
SUPPLIED WITH 400mm SQ. STAINLESS
STEEL AIR INLET/OUTLET GRILLES

PRODUCT RANGE: idesign
DESC.: 3-1Gn ASSISTED SERVICE COLD
WIDE DELI
OPTION: INTEGRAL REFRIGERATION (3-1)



RANDES RD, KNOWSLEY BUSINESS PARK, MERSEYSIDE L34 9HZ.
Tel: 0151 548 2211 Fax: 0151 549 2179

ID CODE: DCWDL3-GO
OPTION CODE:

ELECTRICAL INFO: 13A, 230V, 2.0KW WEIGHT: 126Kg

ISSUE: 1 SCALE: 1:25 @ A4