

A

B

C

D

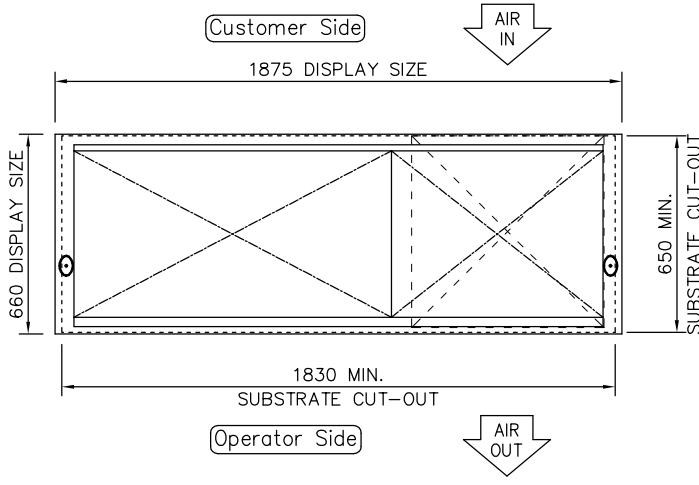
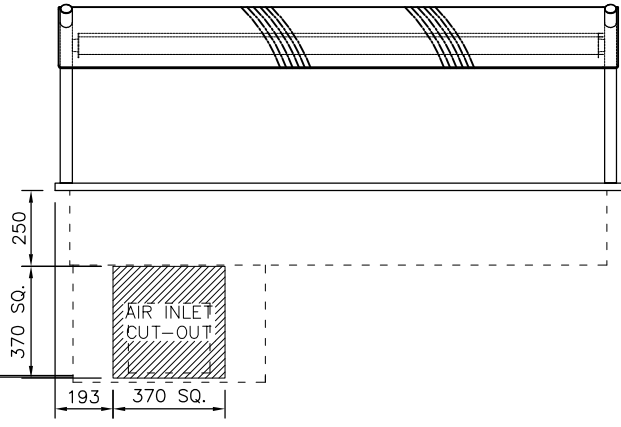
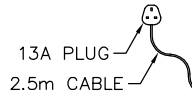
E

F

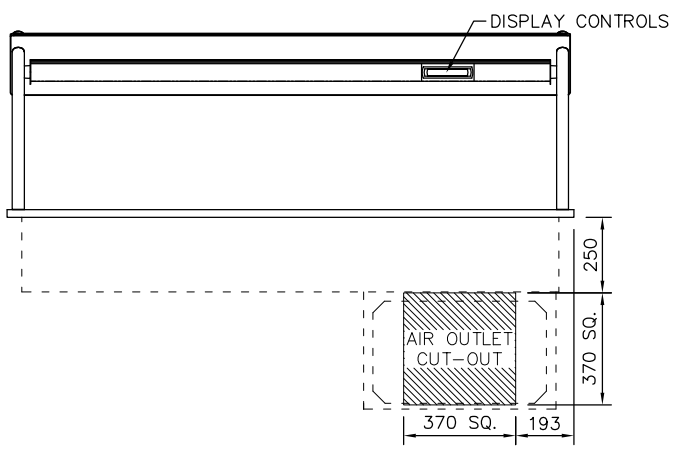
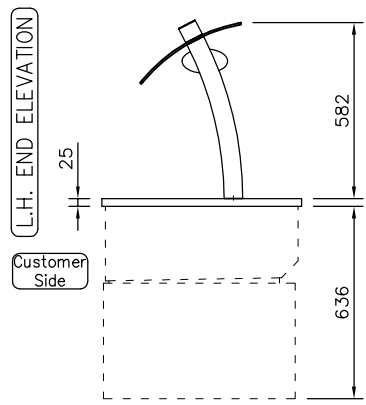
FRONT ELEVATION

PLAN VIEW

REAR ELEVATION



NOTE:
IF DISPLAY IS TO BE FLUSH MOUNTED INTO WORKTOP,
ADD 4 - 6mm TO DISPLAY SIZES FOR WORKTOP CUT-OUT



CUSTOMER & OPERATOR SIDE FASCIA PANELS MUST BE REMOVABLE FOR MAINTENANCE ACCESS
SUPPLIED WITH 400mm SQ. STAINLESS STEEL AIR INLET/OUTLET GRILLES

PRODUCT RANGE:	DA VINCI
DESC.:	5-1Gn SELF HELP COLD WELL
OPTION:	INTEGRAL REFRIGERATION
ID CODE:	DCW5-GO
OPTION CODE:	

counterline

RANDES RD, KNOWSLEY BUSINESS PARK, MERSEYSIDE L34 9HZ.
Tel: 0151 548 2211 Fax: 0151 549 2179

ELECTRICAL INFO:	13A, 230V, 2.3KW	WEIGHT:	141Kg
ISSUE:	1		SCALE: 1:25 @ A4