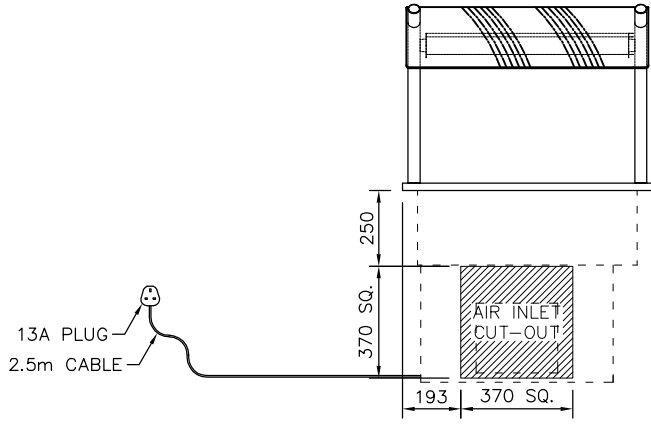
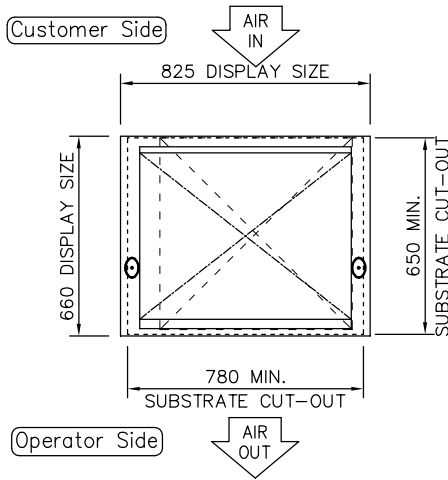


A



FRONT ELEVATION

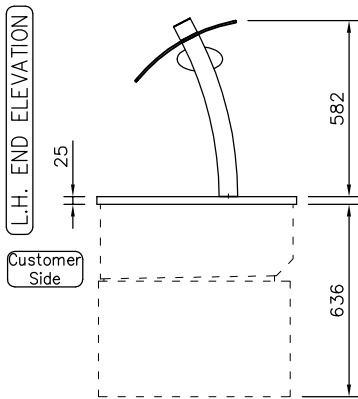
B



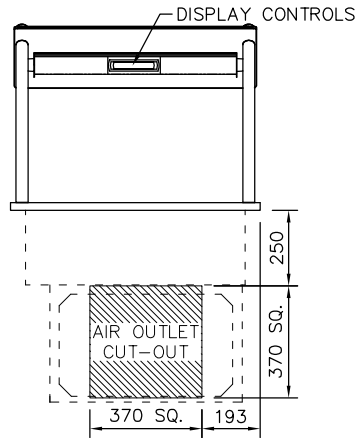
PLAN VIEW

NOTE:  
IF DISPLAY IS TO BE FLUSH MOUNTED INTO WORKTOP,  
ADD 4 - 6mm TO DISPLAY SIZES FOR WORKTOP CUT-OUT

D



REAR ELEVATION



CUSTOMER & OPERATOR SIDE FASCIA PANELS MUST BE REMOVABLE FOR MAINTENANCE ACCESS

SUPPLIED WITH 400mm SQ. STAINLESS STEEL AIR INLET/OUTLET GRILLES

F

PRODUCT RANGE: DA VINCI  
DESC.: 2-1Gn SELF HELP COLD WELL

**counterline** 

RANDLES RD, KNOWSLEY BUSINESS PARK, MERSEYSIDE L34 9HZ.

Tel: 0151 548 2211

Fax: 0151 549 2179

OPTION: INTEGRAL REFRIGERATION

ELECTRICAL INFO: 13A, 230V, 1.7KW

WEIGHT: 91Kg

ID CODE: DCW2-GO

ISSUE: 1



SCALE: 1:25 @ A4