

1

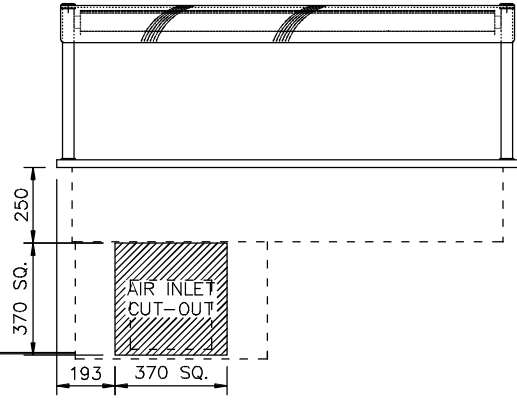
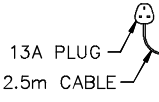
2

3

A

A

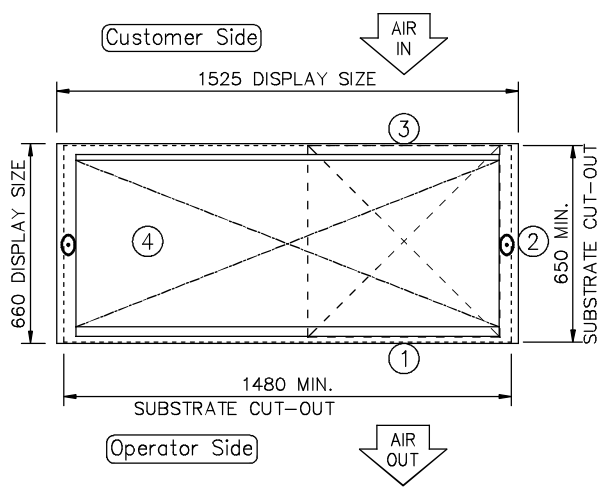
FRONT ELEVATION



B

B

PLAN VIEW

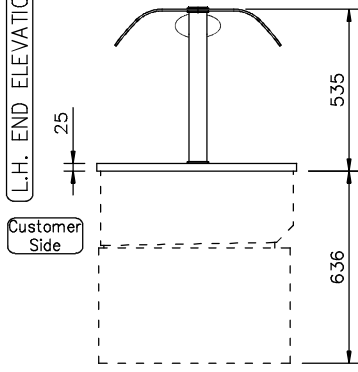


C

C

NOTE:  
IF DISPLAY IS TO BE FLUSH  
MOUNTED INTO WORKTOP,  
ADD 4 - 6mm TO DISPLAY  
SIZES FOR WORKTOP CUT-OUT

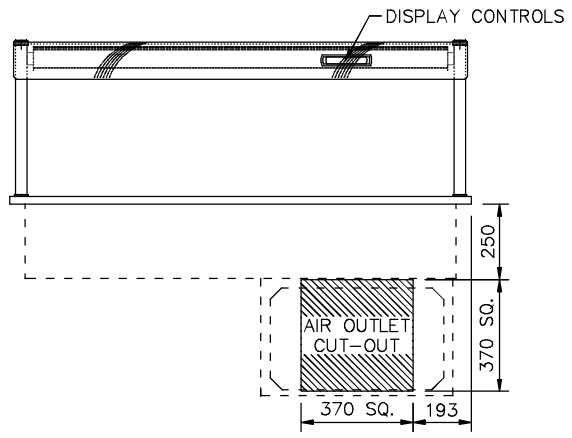
L.H. END ELEVATION



D

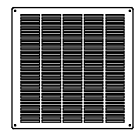
D

REAR ELEVATION



E

E



CUSTOMER & OPERATOR SIDE FASCIA  
PANELS MUST BE REMOVABLE FOR  
MAINTENANCE ACCESS  
SUPPLIED WITH 400mm SQ. STAINLESS  
STEEL AIR INLET/OUTLET GRILLES

F

F

PRODUCT RANGE: DA VINCI  
DESC.: 4-1Gn SELF HELP COLD  
ISLAND WELL  
OPTION: INTEGRAL REFRIGERATION (3-1)



RANDES RD, KNOWSLEY BUSINESS PARK, MERSEYSIDE L34 9HZ.  
Tel: 0151 548 2211 Fax: 0151 549 2179

ID CODE: DCIW4-GO  
OPTION CODE:

ELECTRICAL INFO: 13A, 230V, 2.2KW		WEIGHT: 145Kg
ISSUE: 1	SCALE: 1:25 @ A4	

1

2