

A

B

C

D

E

F

FRONT ELEVATION

A

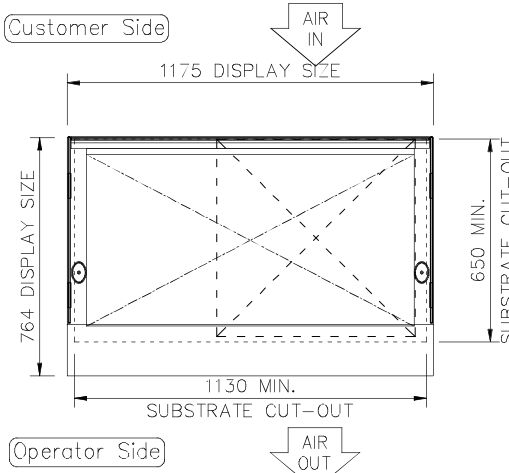
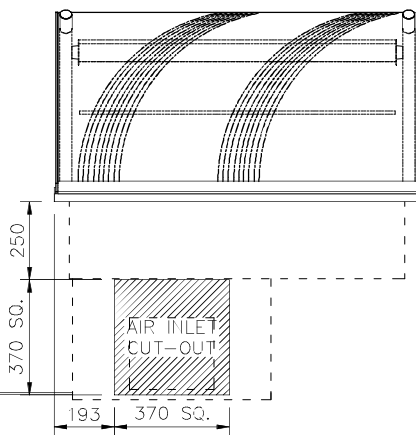
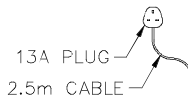
B

C

D

E

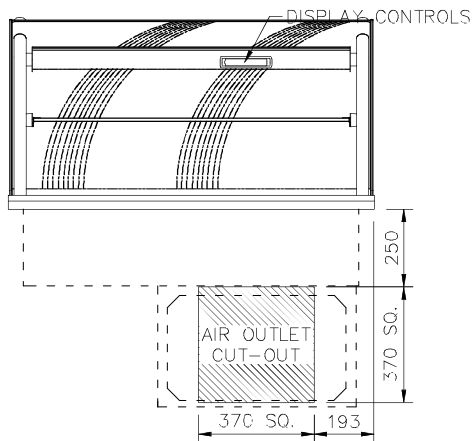
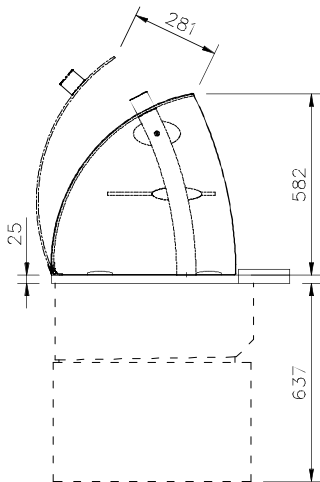
F



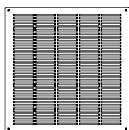
PLAN VIEW

NOTE:  
IF DISPLAY IS TO BE FLUSH  
MOUNTED INTO WORKTOP,  
ADD 4 - 6mm TO DISPLAY  
SIZES FOR WORKTOP CUT-OUT

L.H. END ELEVATION



REAR ELEVATION



CUSTOMER & OPERATOR SIDE FASCIA  
PANELS MUST BE REMOVABLE FOR  
MAINTENANCE ACCESS

SUPPLIED WITH 403mm SQ. STAINLESS  
STEEL AIR INLET/OUTLET GRILLES

PRODUCT RANGE: DA VINCI  
DESC.: 3-1Gn ASSISTED SERVICE COLD  
DELI  
OPTION: INTEGRAL REFRIGERATION

ID CODE: DCDL3-GO

OPTION  
CODE:

**counterline**

RANDES RD, KNOWSLEY BUSINESS PARK, MERSEYSIDE L34 9HZ.

Tel: 0151 548 2211

Fax: 0151 549 2179

ELECTRICAL INFO: 13A, 230V, 2.0KW WEIGHT: 125Kg

ISSUE: 1 SCALE: 1:25 @ A4